

SHUTTLE VALVE

EXAMPLE V-490

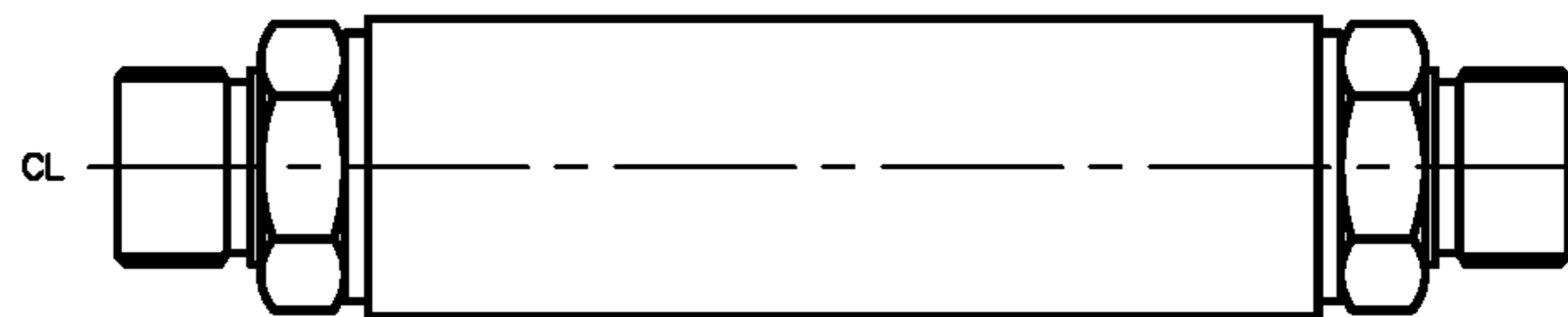
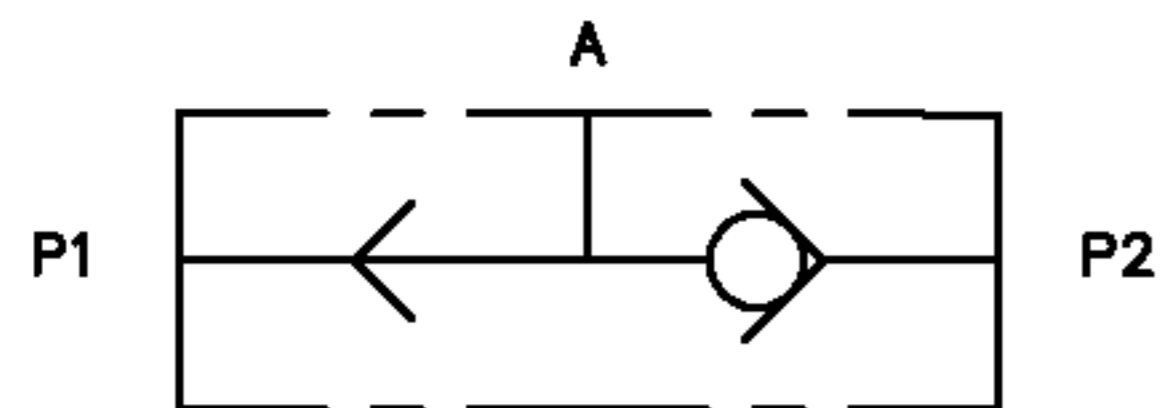
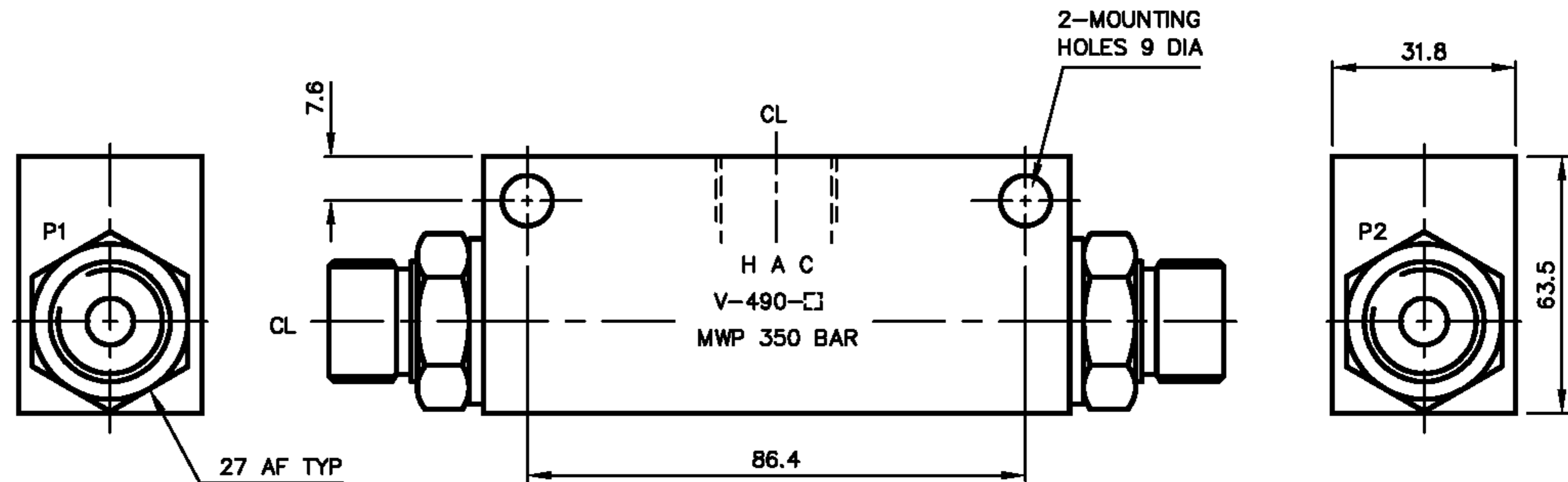
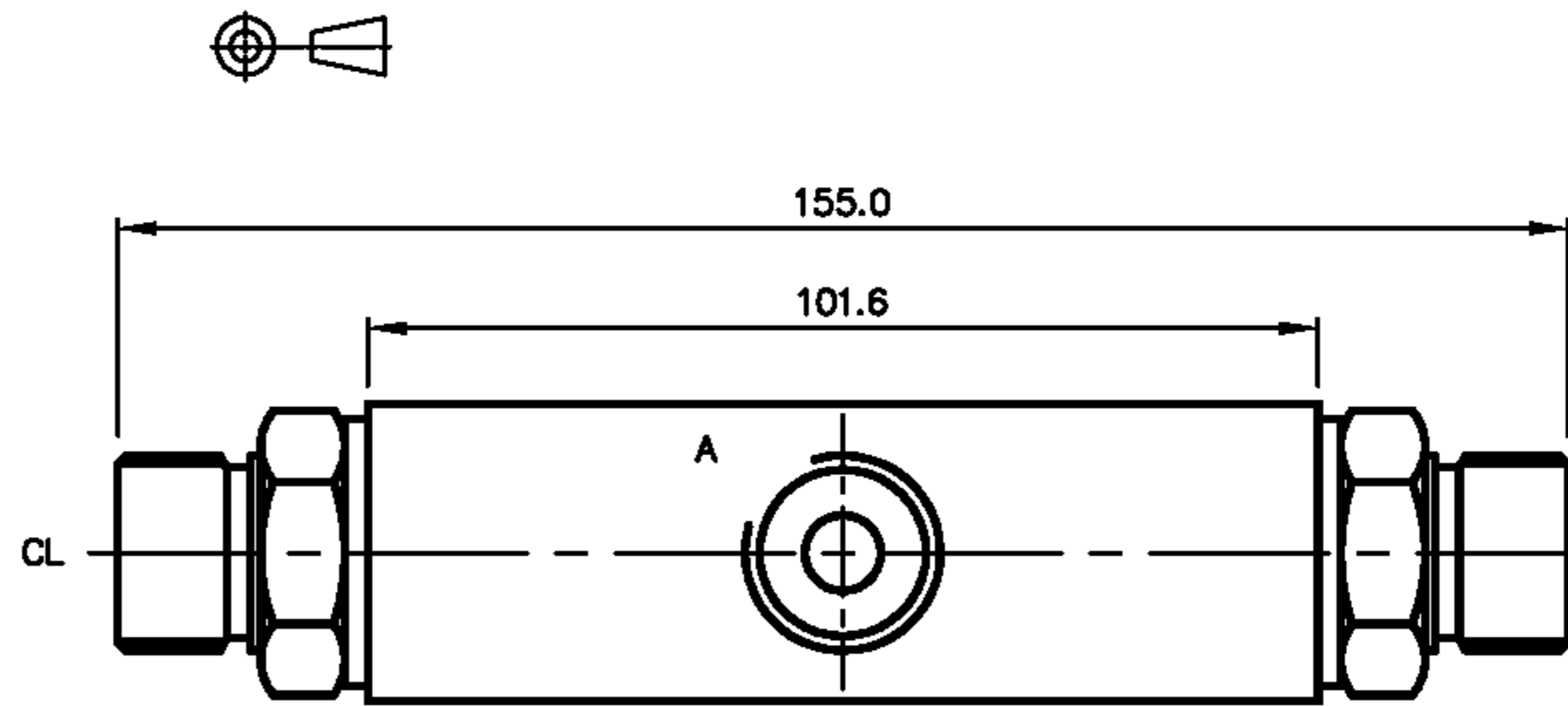
THIS VALVE IS USED WHERE A SERVICE FEED LINE HAS ALTERNATIVE MEANS OF SUPPLY, BUT ONLY ONE SUPPLY IS USED AT A TIME.

MAX WORKING PRESSURE 350 BAR

VALVE ORDERING INFORMATION

TYPE	PORTS
V-490-A	1/4 BSP (PL)
V-490-B	3/8 BSP (PL)
V-490-C	1/2 BSP (PL)

ALL DIMENSIONS IN MM



VALVE TYPE

SHUTTLE VALVE

DATE: 01/08/01

ASSY: 6140

SCALE: 1:1

TITLE INSTALLATION
V-490

DRG NO

6141

ISS

A