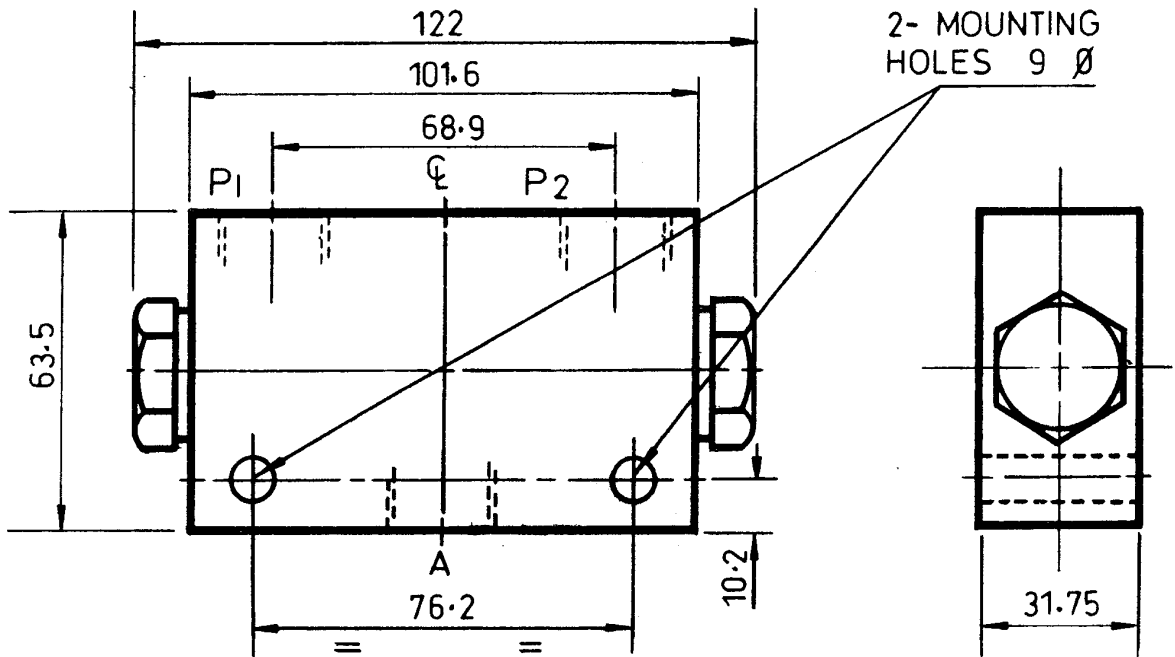




SHUTTLE VALVE
2-PIECE SHUTTLE

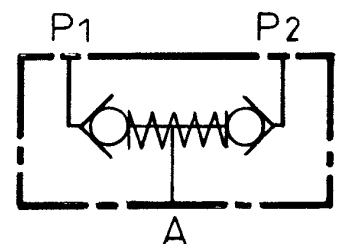


THIS VALVE IS USED WHERE A SERVICE FEED LINE HAS ALTERNATIVE MEANS OF SUPPLY, BUT ONLY ONE SUPPLY IS USED AT A TIME.

MAX WORKING PRESSURE 350 BAR

SYMBOL V-494

ORDERING INFORMATION	
TYPE	PORTS
V-494-A	1 / 4 B S P(PL)
V-494-B	3 / 8 B S P(PL)
V-494-C	1 / 2 B S P(PL)



THIS VALVE HAS A 2-PIECE SPRING LOADED SHUTTLE TO PREVENT OIL FLOWING FROM PORT 'A' TO ANY OF 'P' PORTS.

ALL DIMENSIONS IN MM

HYDRAULIC ACTUATORS AND CONTROLS LTD

104 Maybury Road, Woking, Surrey GU21 5JL, England.
Tel: (01483) 762745 Fax: (01483) 765320