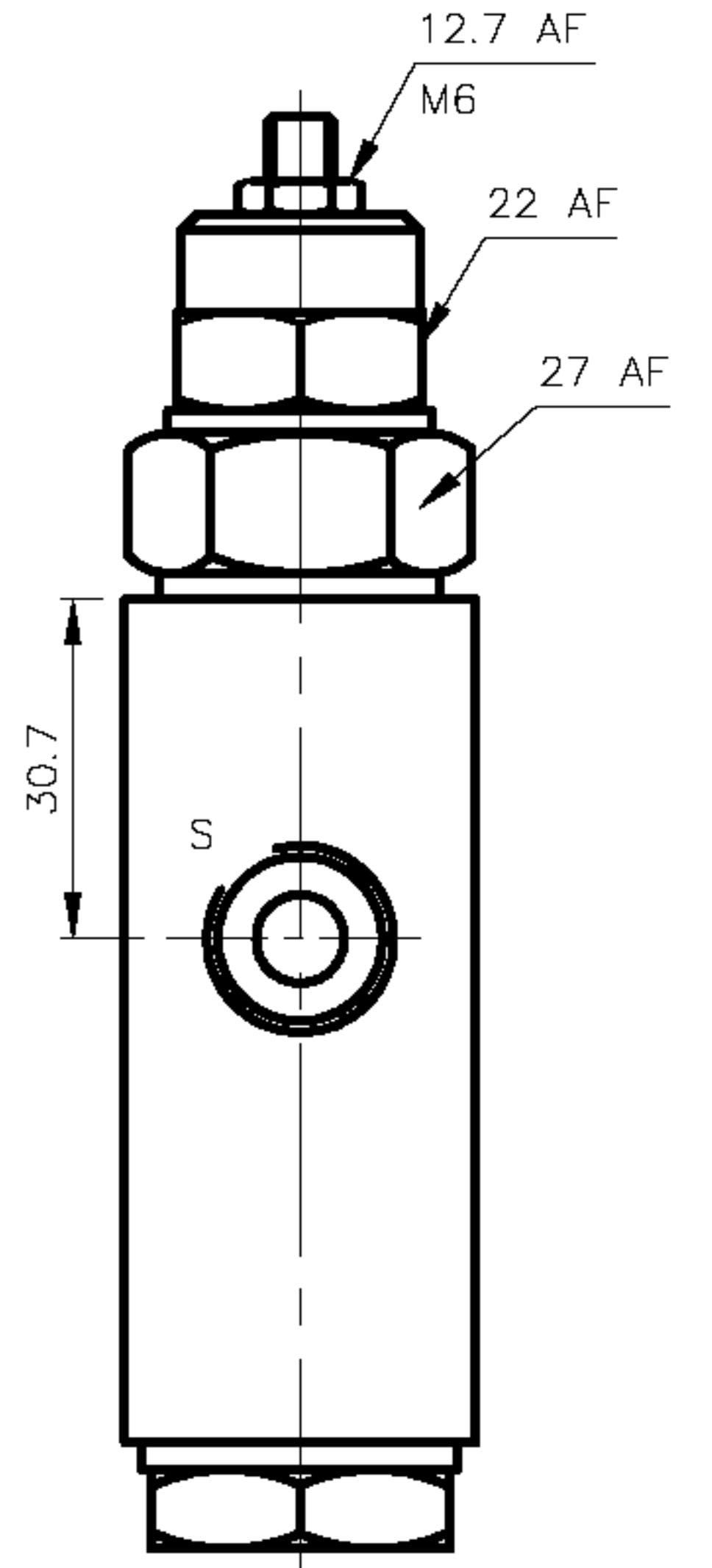
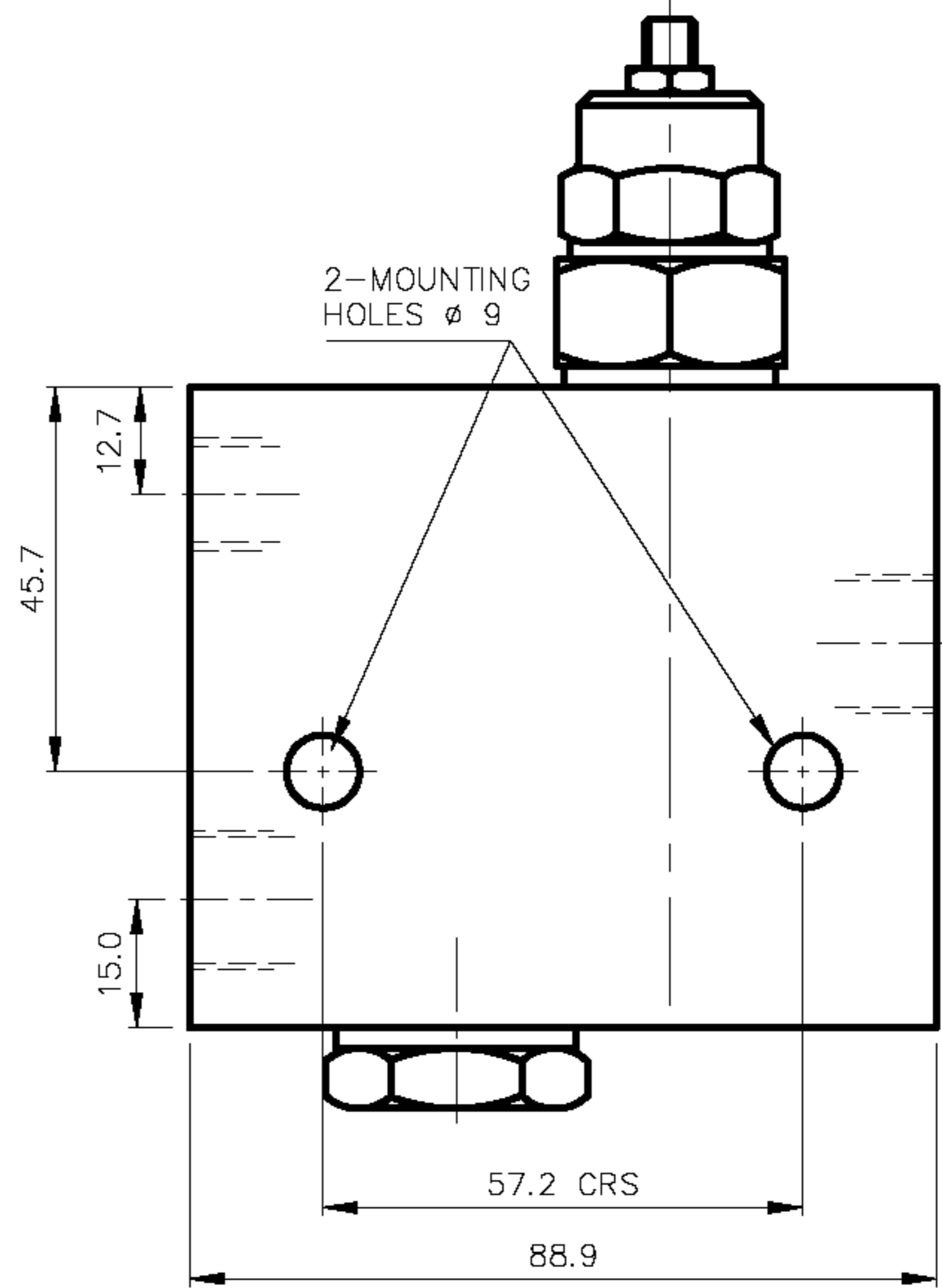
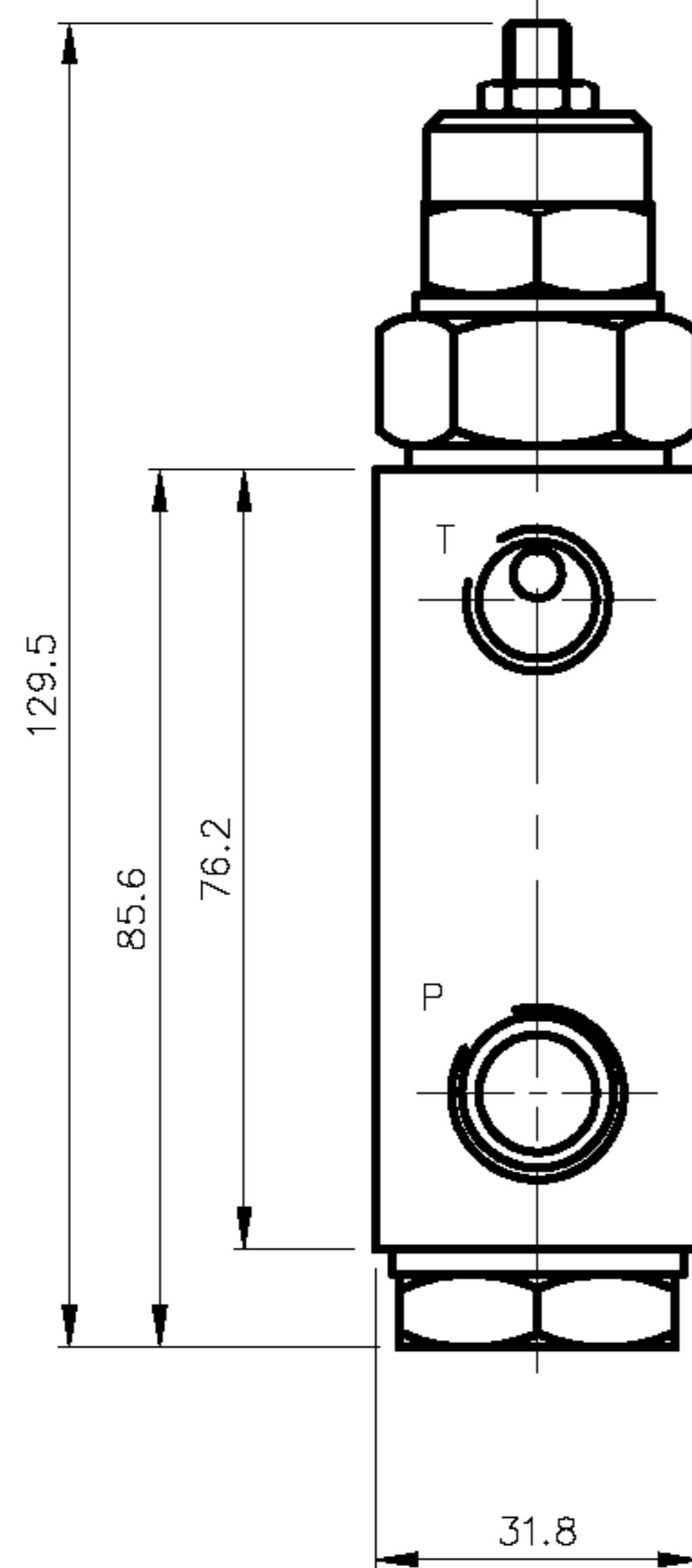
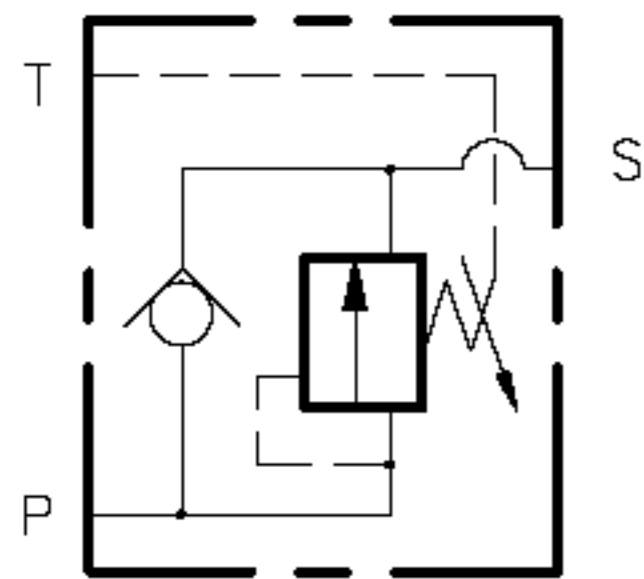


<b>VENTED P.O.SEQUENCE VALVE</b>
WITH REVERSE FLOW CHECK VALVE
EXAMPLE V-9605-B
<b>MAX WORKING PRESSURE 350 BAR</b>

H A C	
V-9605-B	
MWP 350 BAR	
DEC1642299	

VALVE ORDERING INFORMATION		
TYPE	PORT T	PORTS P & S
V-9605-B	1/4 BSP (PL)	3/8 BSP (PL)
ALL DIMENSIONS IN MM		

VALVE SET AT  
120 BAR



VALVE TYPE VENTED P.O.SEQUENCE VALVE  
WITH REVERSE FLOW CHECK VALVE  
(DYNAMIC EQUIPMENT COMPANY)

DATE: 05/06/03  
ASSY: 9605  
SCALE: 1:1

TITLE INSTALLATION  
V-9605-B

DRG NO 9606

ISS A