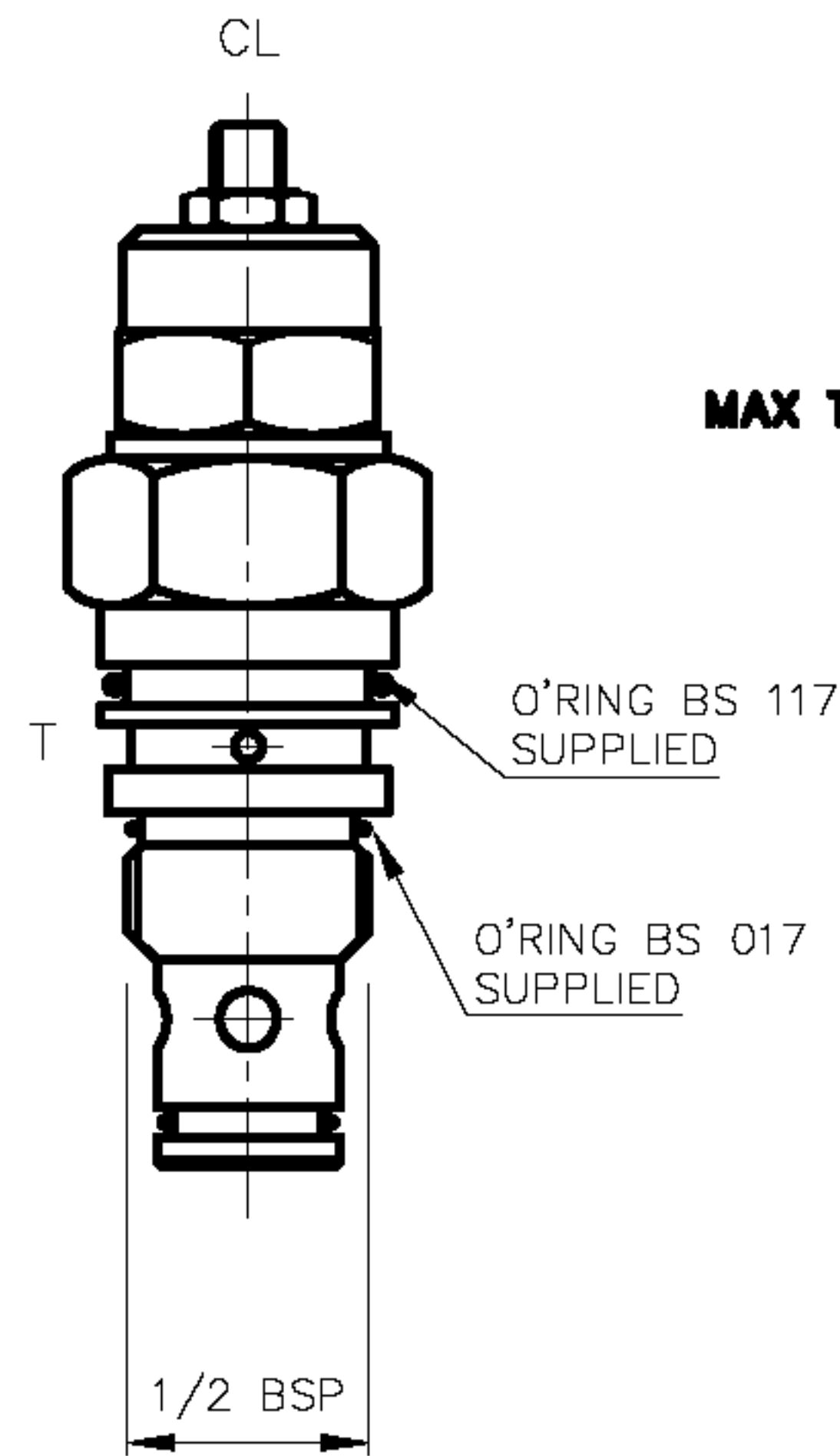
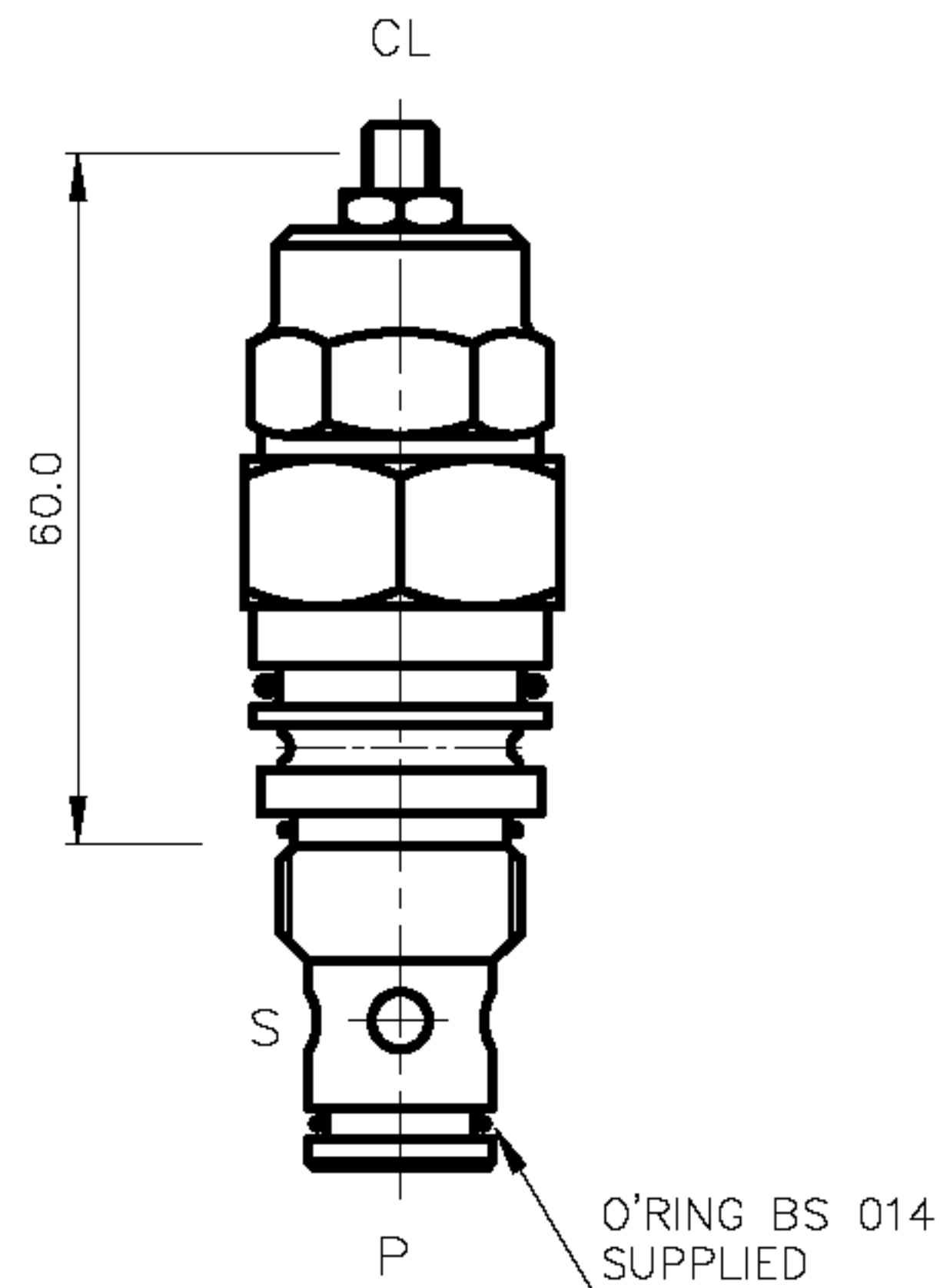
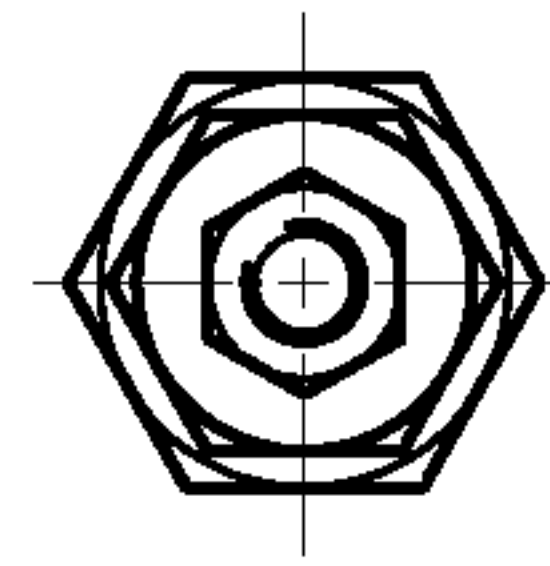
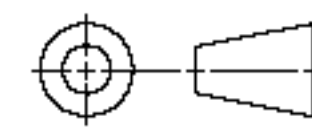
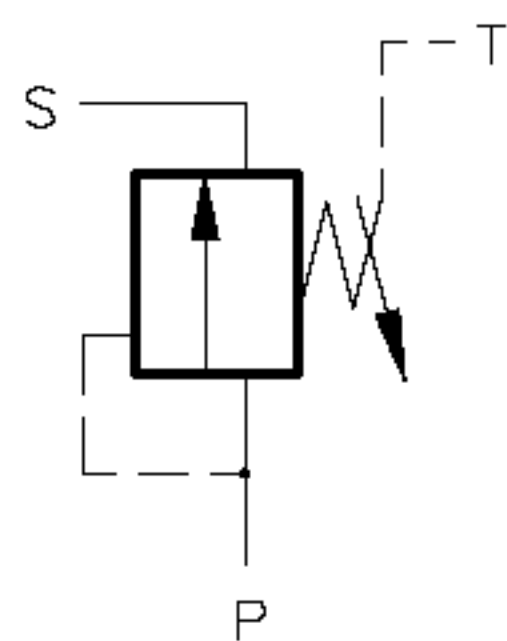
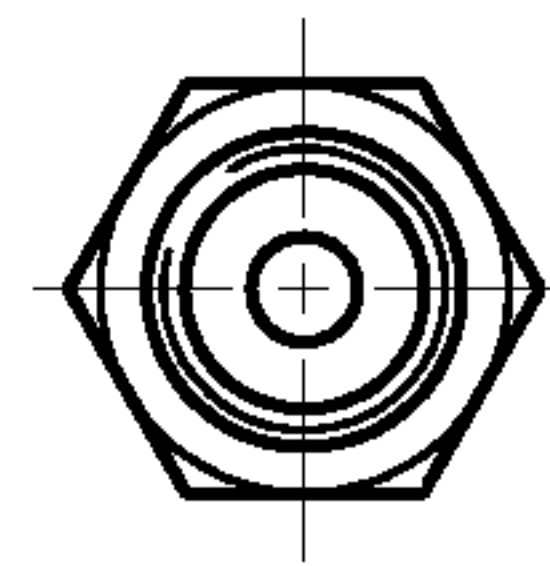
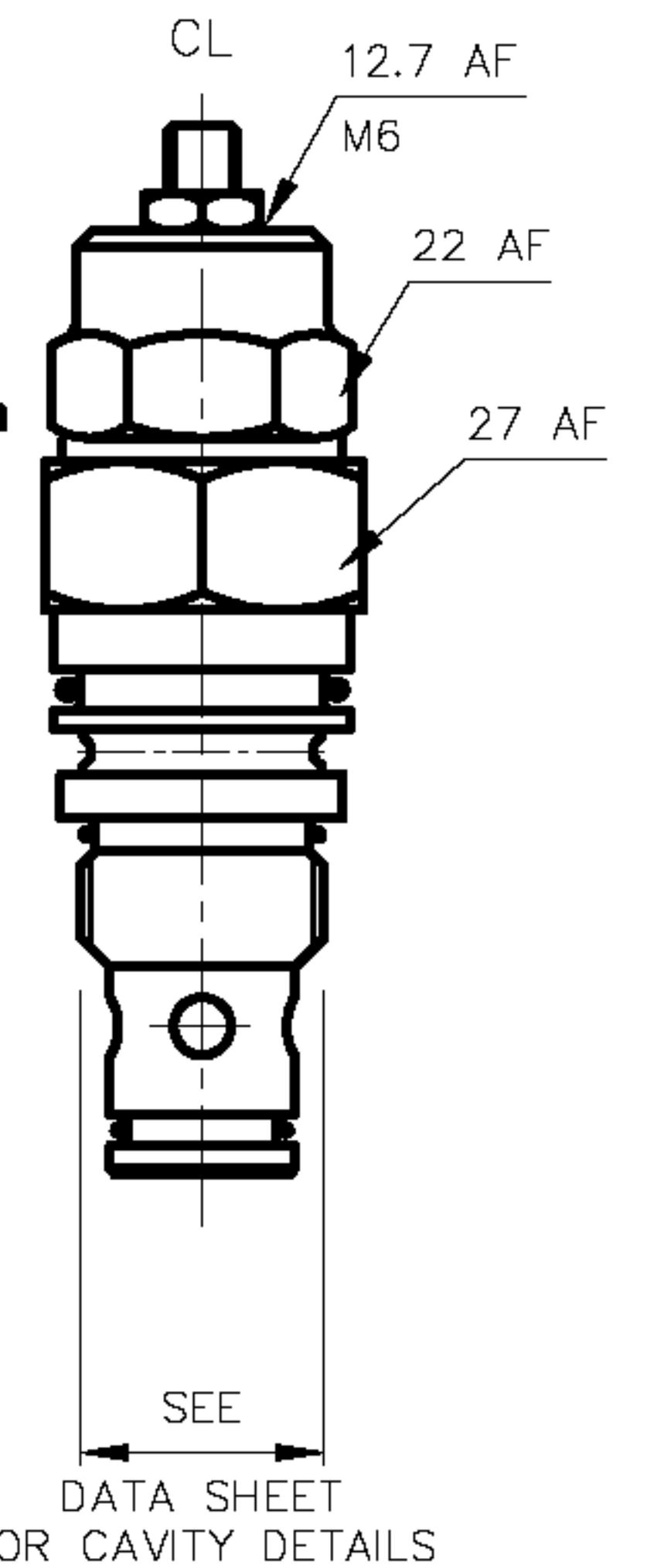


PILOT OPERATED SEQUENCE VALVE
EXAMPLE VC-9550
MAX WORKING PRESSURE 350 BAR

VALVE ORDERING INFORMATION
TYPE
VC-9550
ALL DIMENSIONS IN MM



MAX TORQUE 60.0 Nm



VALVE TYPE PILOT OPERATED SEQUENCE VALVE

DATE: 19/05/03
 ASSY: 9550
 SCALE: 1:1

TITLE INSTALLATION
 VC-9550

DRG NO
 9551

ISS
 A