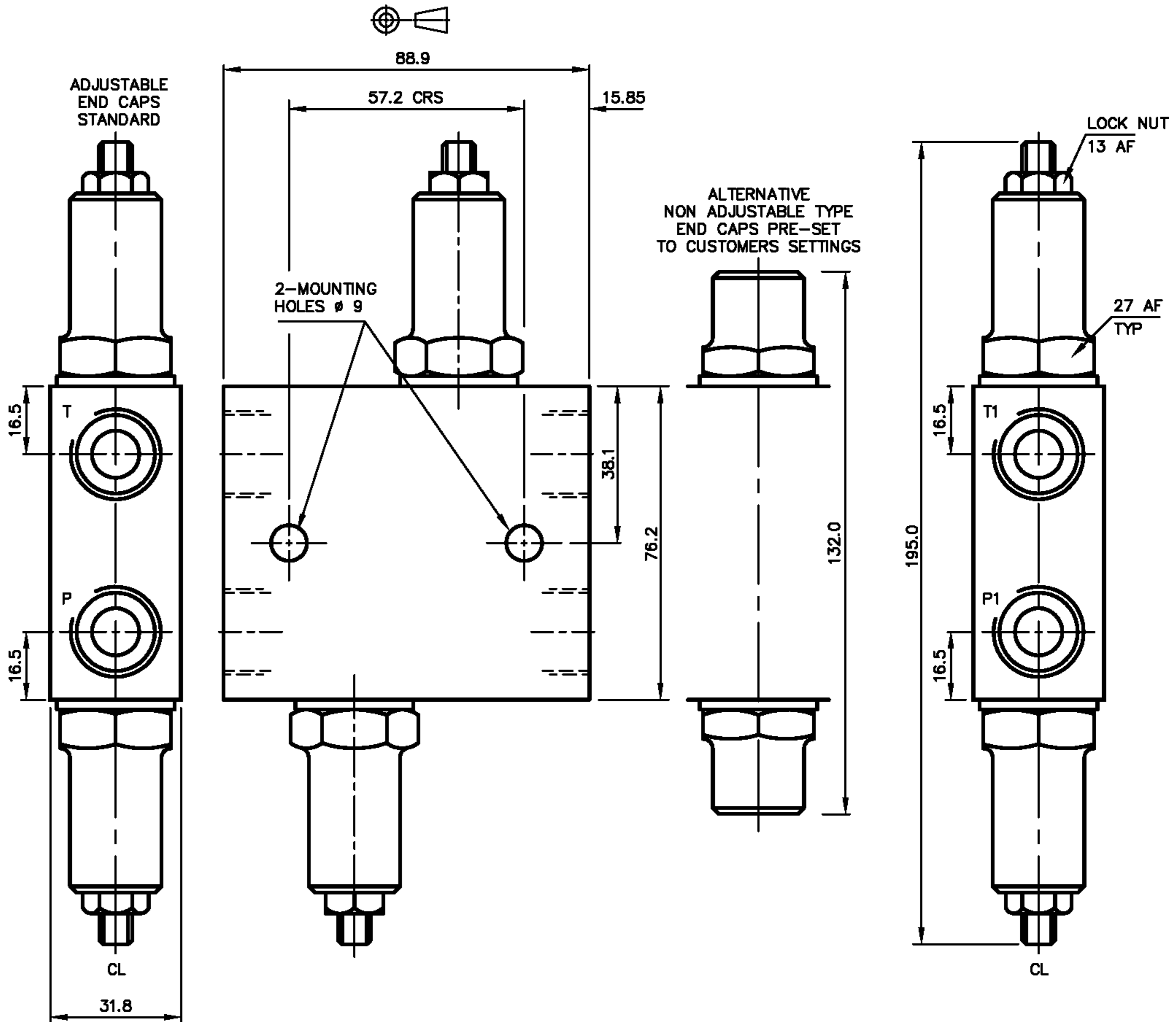
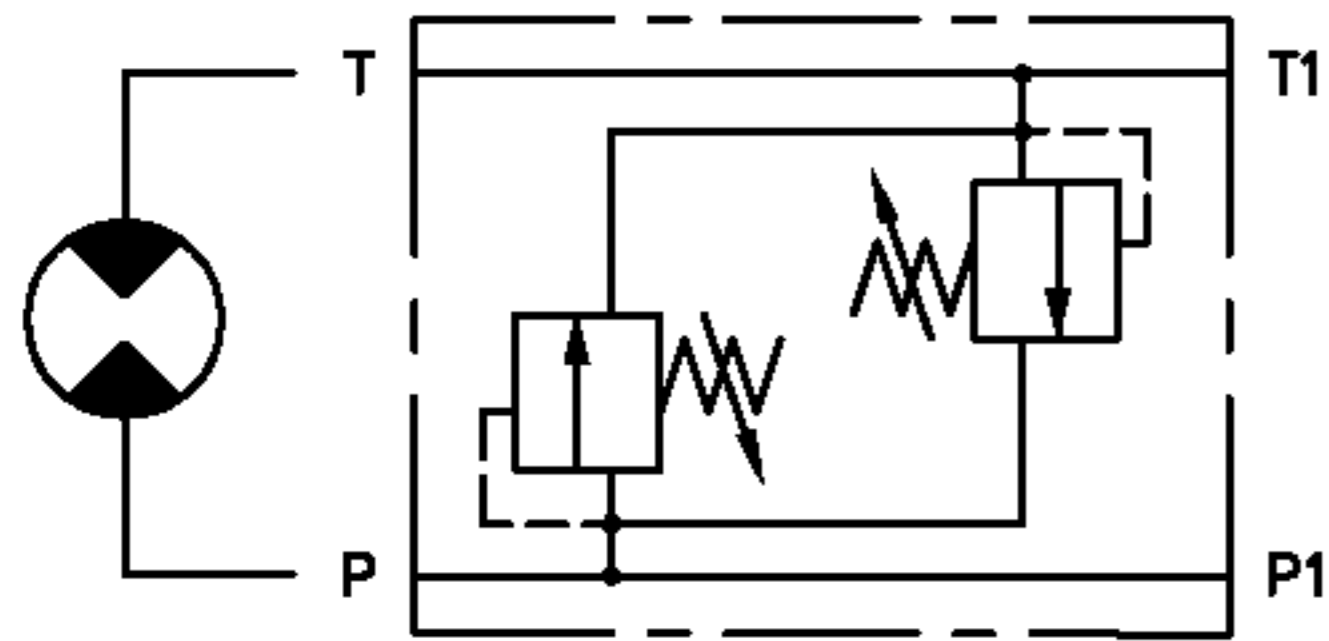


| | |
|---|--|
| COMBINATION LOCK RELIEF VALVE | |
| EXAMPLE V-441-□ | |
| RELIEF PRESSURE RANGE AVAILABLE 0-240 BAR | |
| RELIEF PRESSURE RANGE AVAILABLE 0-138 BAR | |
| RELIEF PRESSURE RANGE AVAILABLE 0-55 BAR | |
| MAX WORKING PRESSURE 350 BAR | |

| | |
|-----------------------------------|--------------|
| VALVE ORDERING INFORMATION | |
| TYPE | PORTS |
| V-441-B | 3/8 BSP (PL) |
| V-441-C | 1/2 BSP (PL) |
| ALL DIMENSIONS IN MM | |



VALVE TYPE

DUAL CROSSLINE RELIEF VALVE

DATE: 13/08/02

ASSY: 5485

SCALE: 1:1

TITLE INSTALLATION
V-441

DRG NO

5486A

ISS