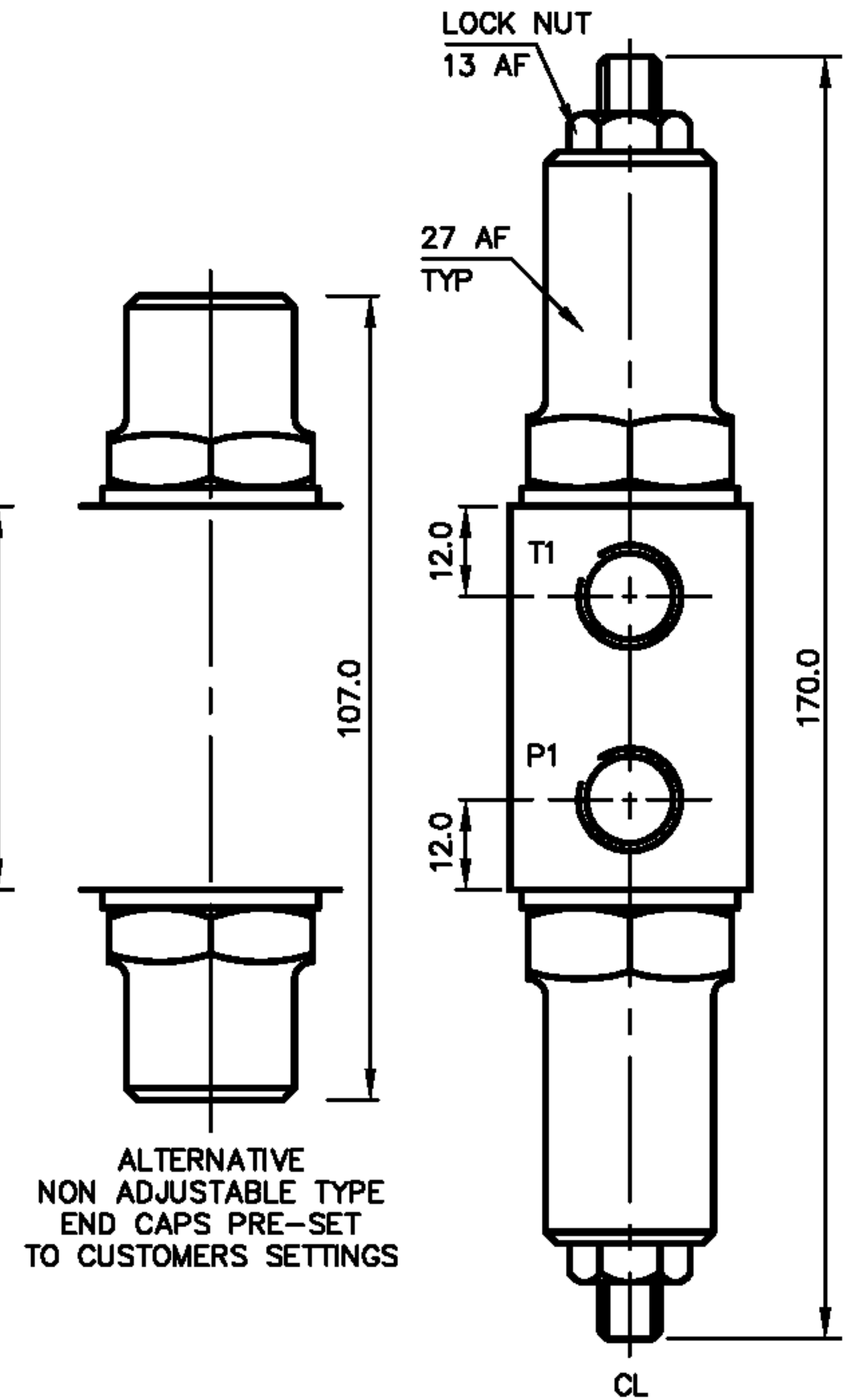
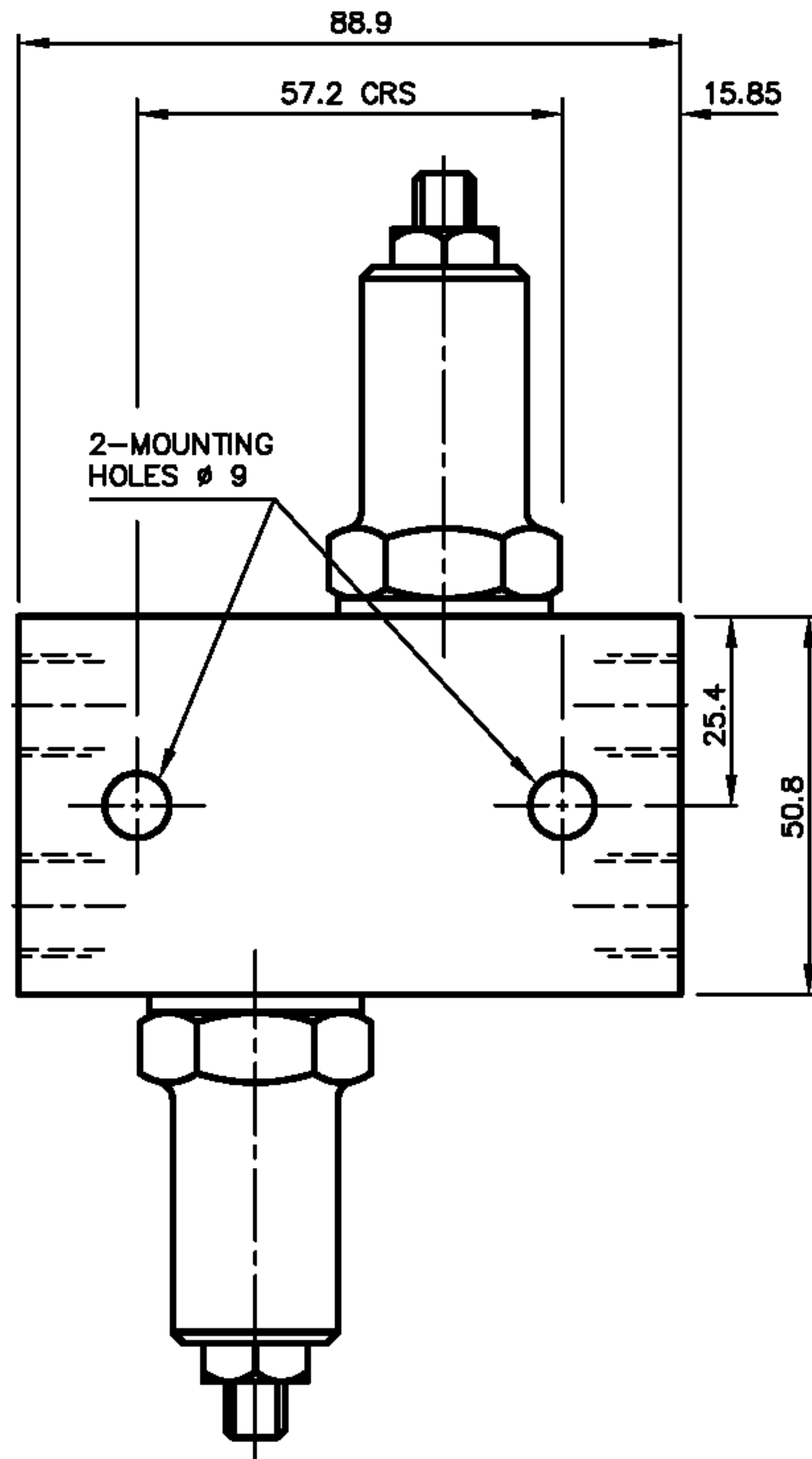
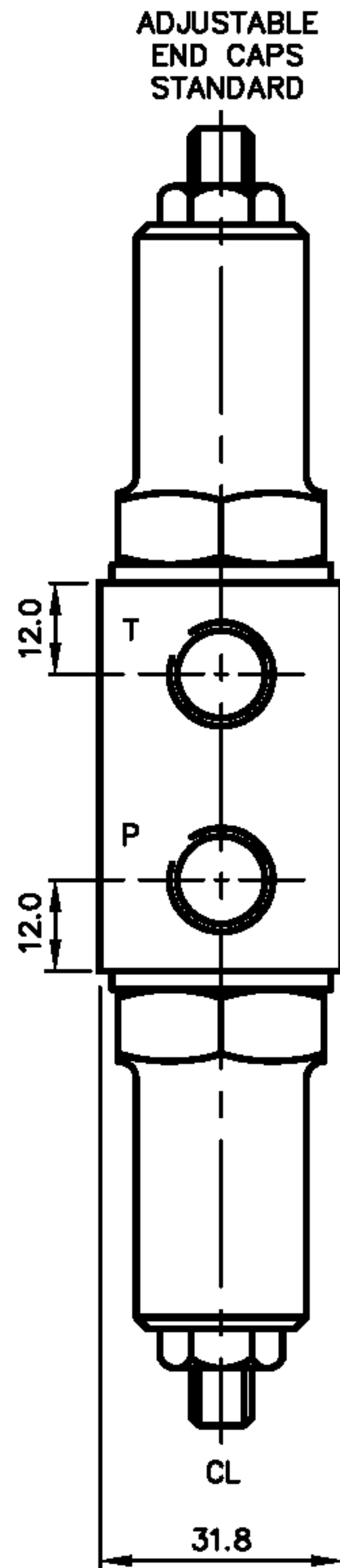
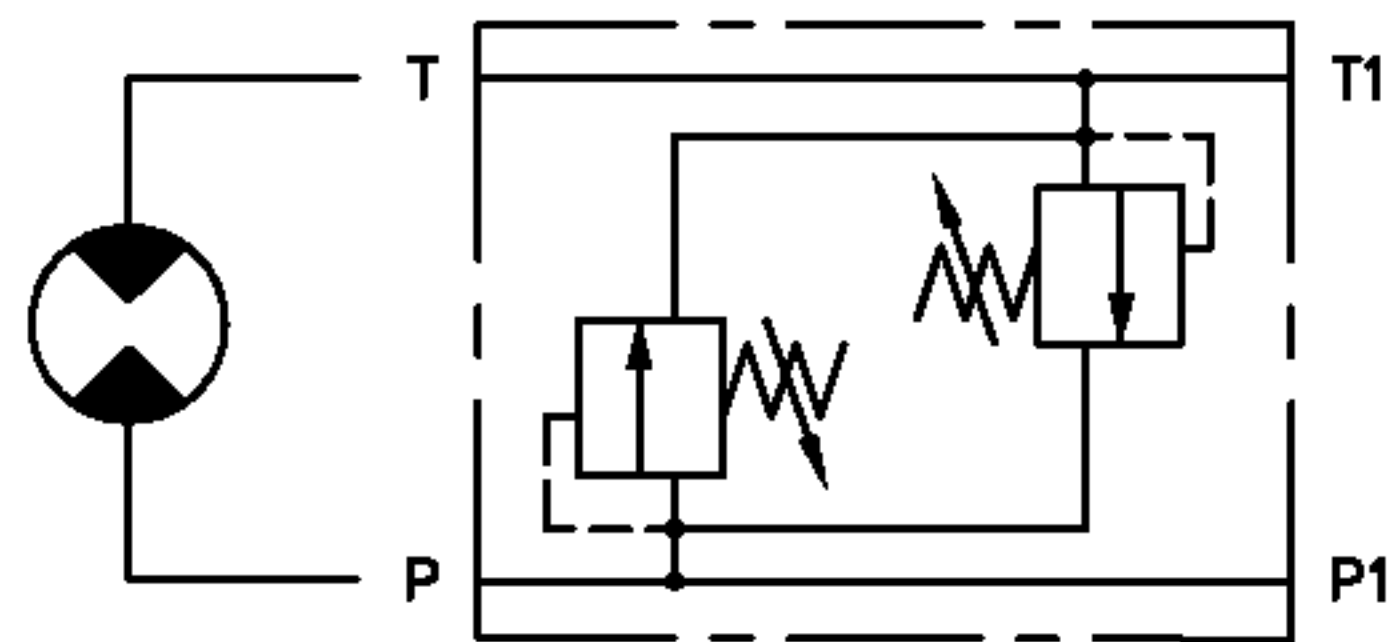


COMBINATION LOCK RELIEF VALVE
EXAMPLE V-441-A
RELIEF PRESSURE RANGE AVAILABLE 0-240 BAR
RELIEF PRESSURE RANGE AVAILABLE 0-138 BAR
RELIEF PRESSURE RANGE AVAILABLE 0-55 BAR
MAX WORKING PRESSURE 350 BAR

VALVE ORDERING INFORMATION	
TYPE	PORTS
V-441-A	1/4 BSP (PL)
ALL DIMENSIONS IN MM	



ALTERNATIVE
NON ADJUSTABLE TYPE
END CAPS PRE-SET
TO CUSTOMERS SETTINGS



VALVE TYPE

DUAL CROSSLINE RELIEF VALVE

DATE: 13/08/02

ASSY: 7350

SCALE: 1:1

TITLE INSTALLATION
V-441-A

DRG NO
7351A
ISS