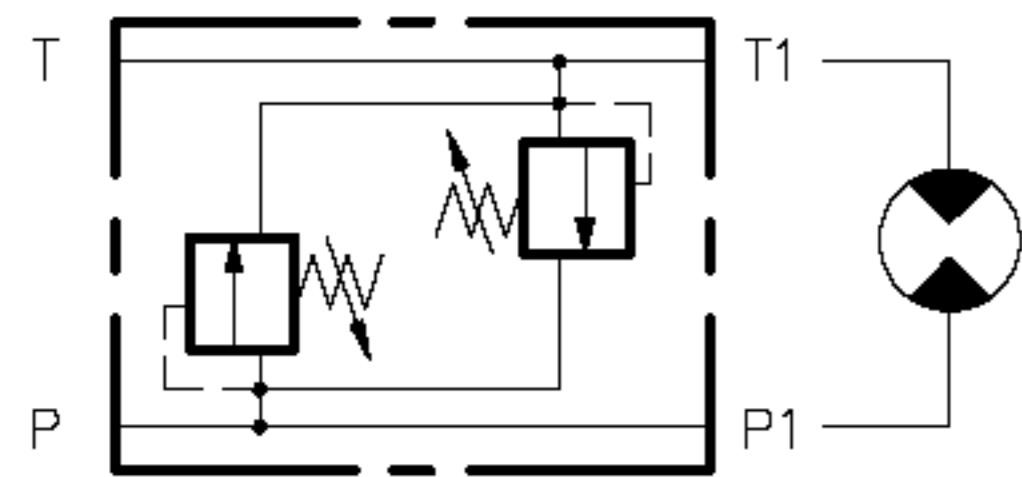
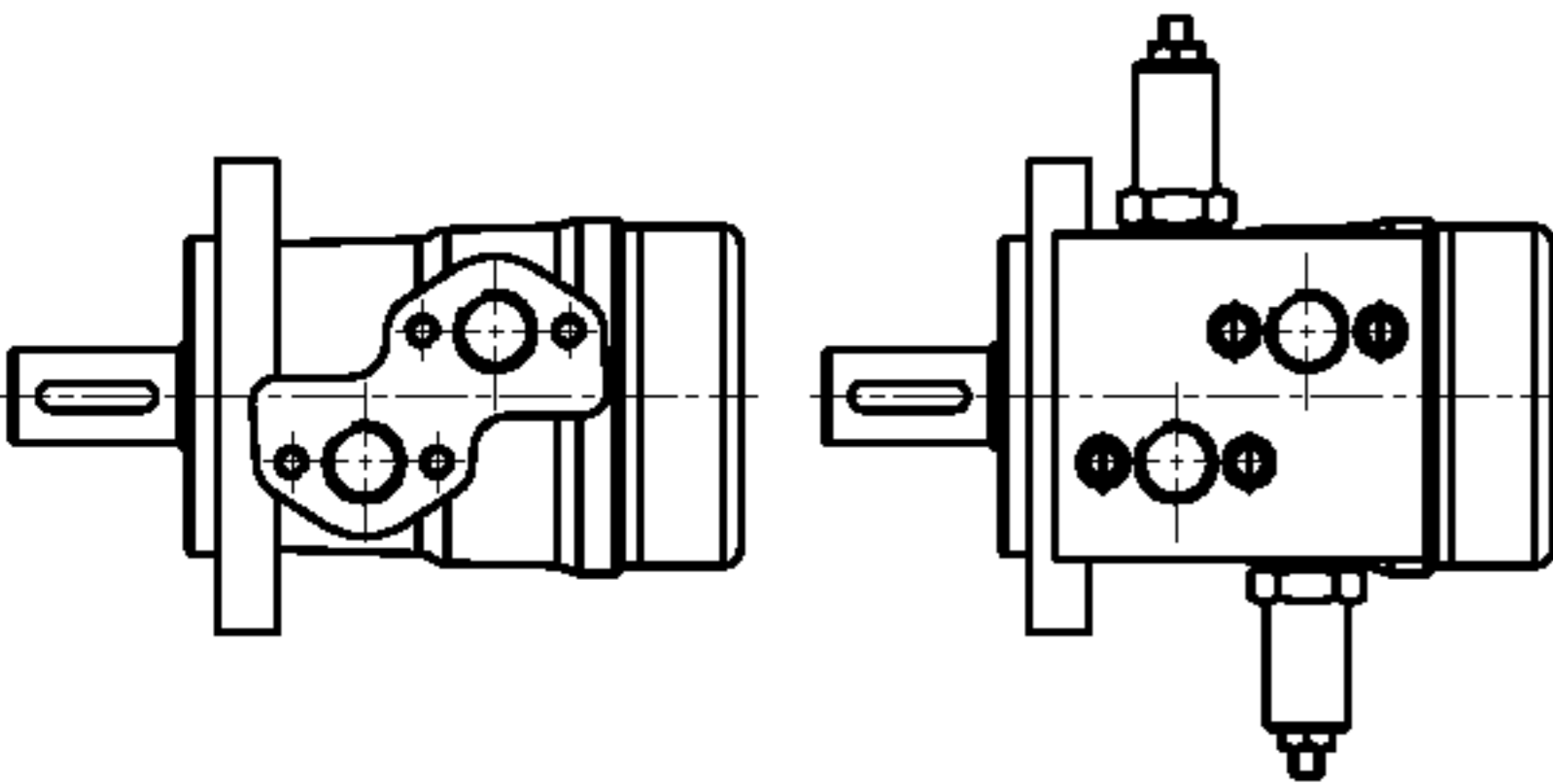


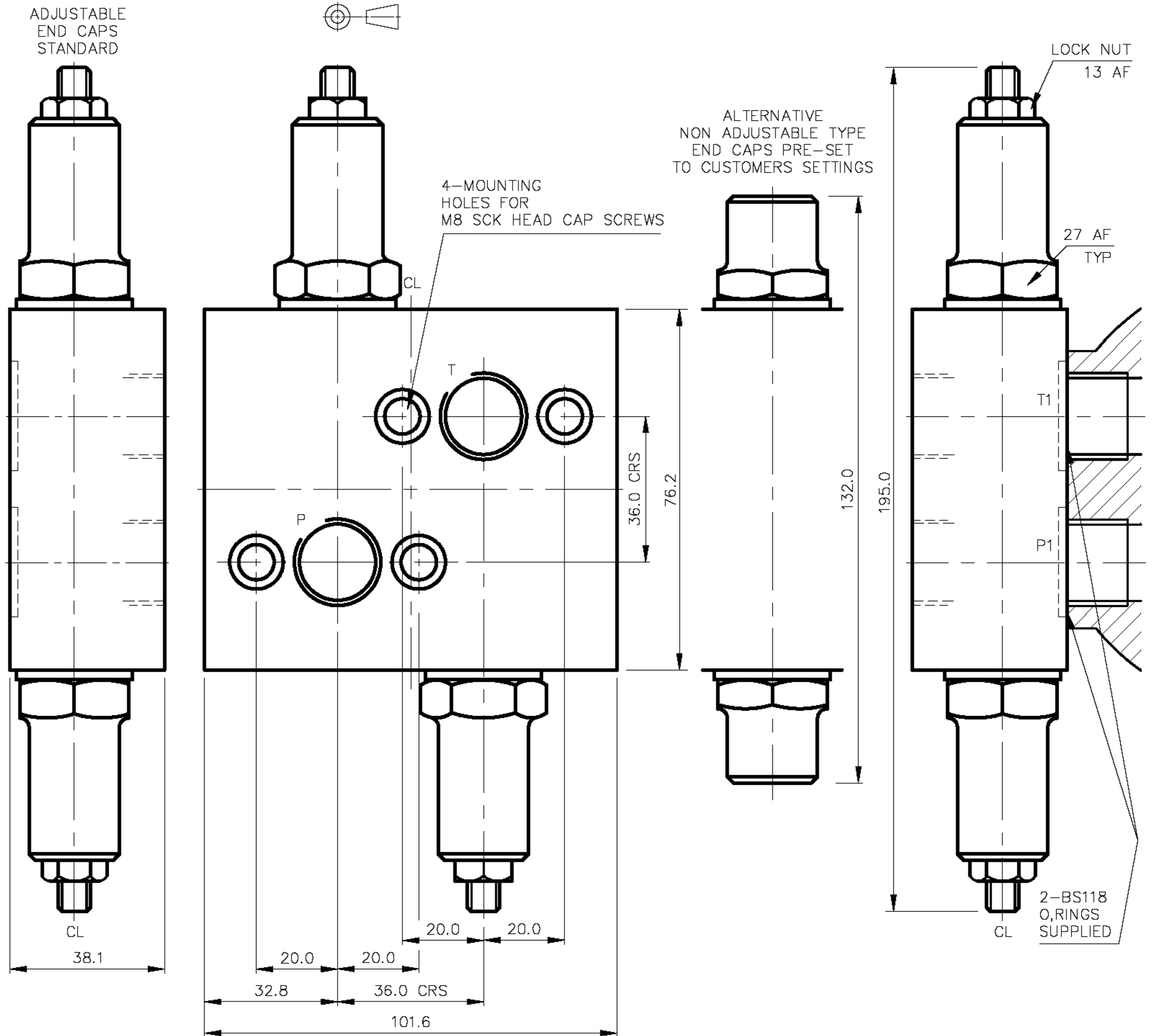
MOTOR DUAL CROSSLINE RELIEF VALVE
EXAMPLE V-452-C
RELIEF PRESSURE RANGE AVAILABLE 0-240 BAR
RELIEF PRESSURE RANGE AVAILABLE 0-138 BAR
RELIEF PRESSURE RANGE AVAILABLE 0-55 BAR
MAX WORKING PRESSURE 350 BAR



VALVE ORDERING INFORMATION	
TYPE	PORTS
V-452-C	1/2 BSP (PL)
ALL DIMENSIONS IN MM	



TO FIT THE FOLLOWING MOTORS
ADAN AVMP & AWMR TYPE
SAUER DANFOSS OMP & OMR TYPE
WHITE HYDRAULICS MP & MR



TYPE MOTOR DUAL CROSSLINE RELIEF VALVE
MANIFOLD MOUNTED

DATE: 13/08/02
ASSY: 9700 CAT
SCALE: 1:1

TITLE INSTALLATION
V-452

DRG NO 9701
ISS A