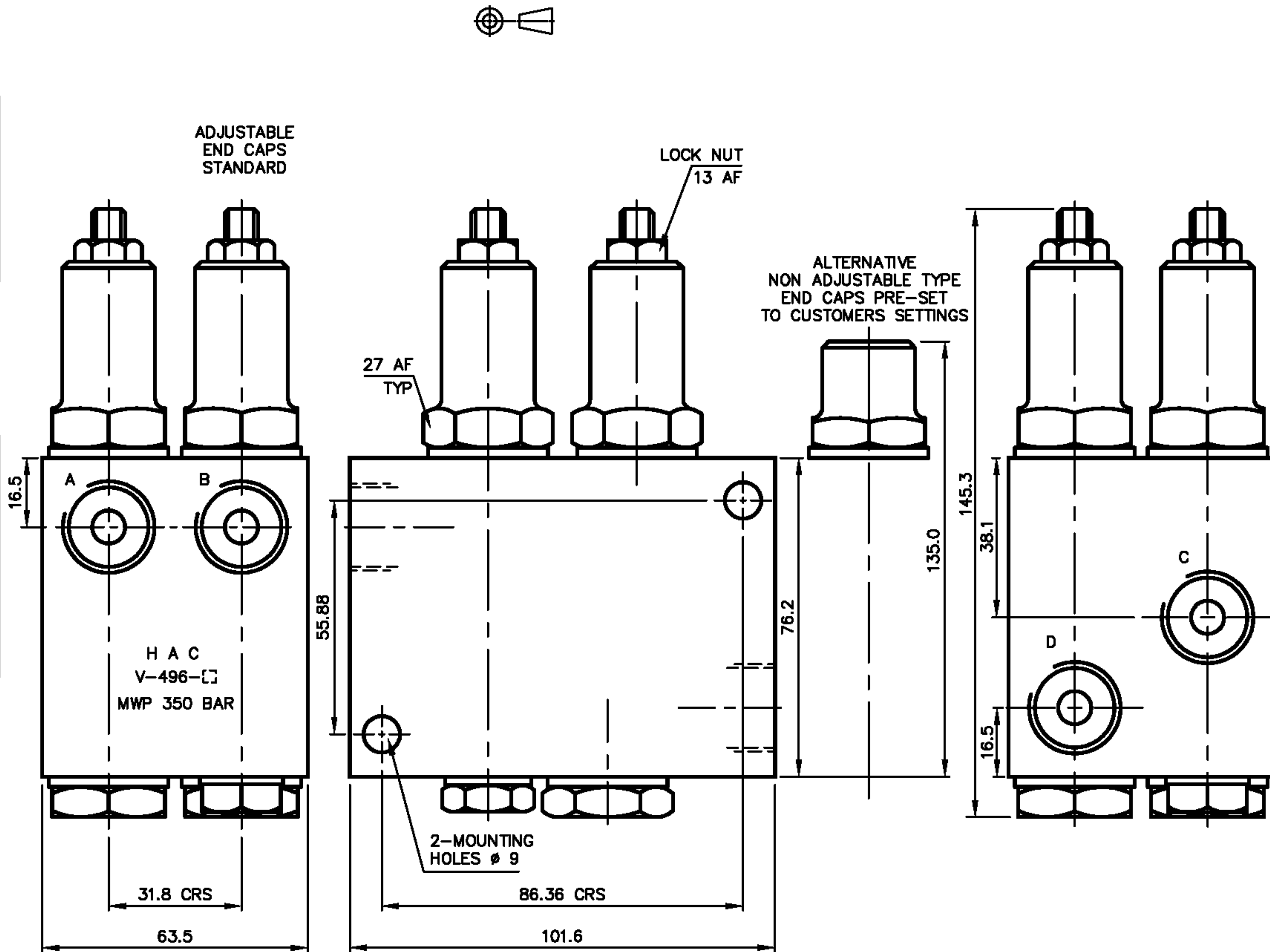
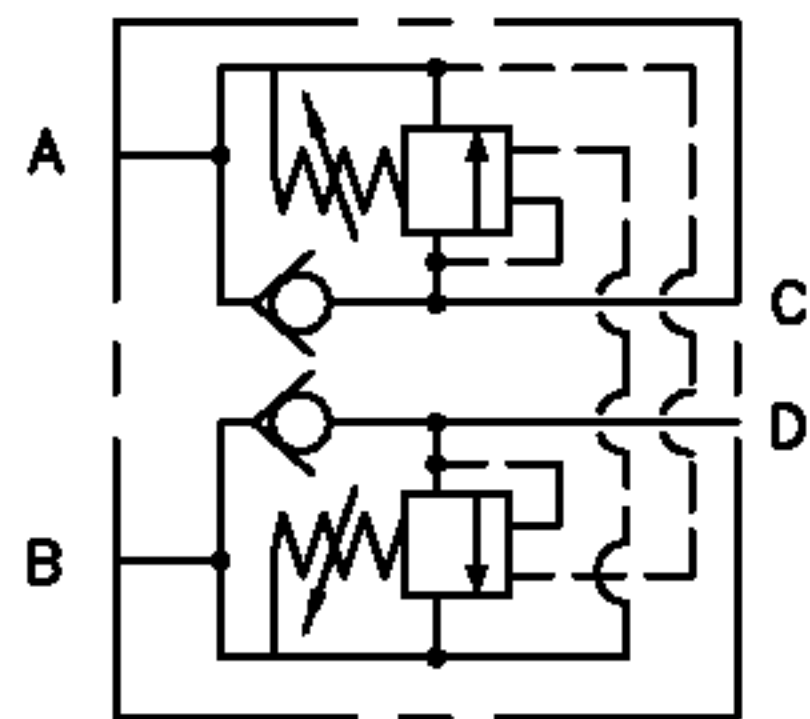


**DUAL OVERCENTRE VALVE**  
 EXAMPLE V-496-[ ], 7:1 RATIO  
 7:1 STD RATIO, 3.5:1 AVAILABLE ON REQUEST  
 MAX WORKING PRESSURE 350 BAR

**VALVE ORDERING INFORMATION**

TYPE	PORTS
V-496-A	1/4 BSP (PL)
V-496-B	3/8 BSP (PL)
V-496-C	1/2 BSP (PL)

ALL DIMENSIONS IN MM



VALVE TYPE

DUAL OVERCENTRE VALVE

DATE: 08/10/03  
 ASSY: 5150  
 SCALE: 1:1

TITLE INSTALLATION  
 V-496

DRG NO  
 5151 A  
 ISS