

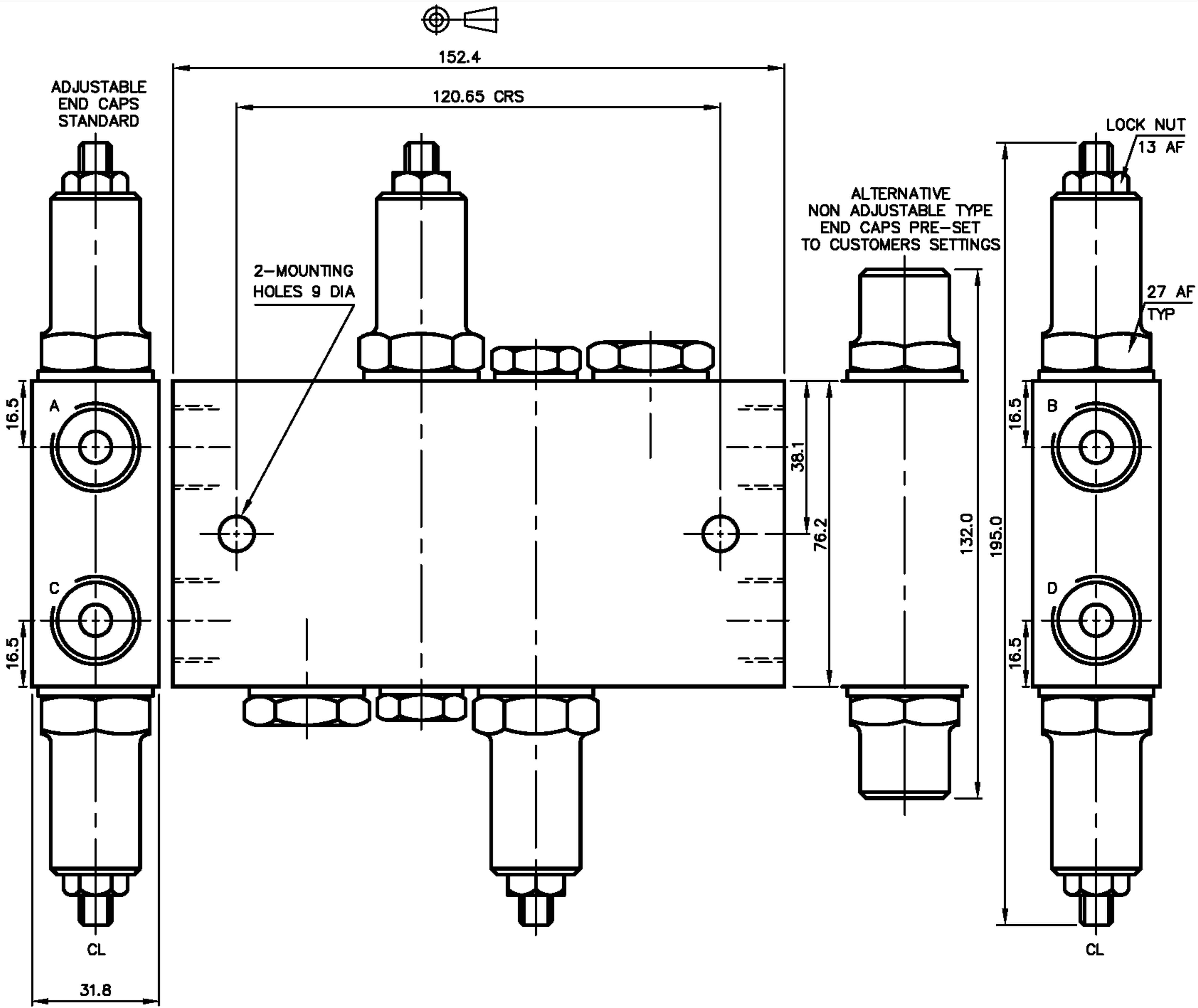
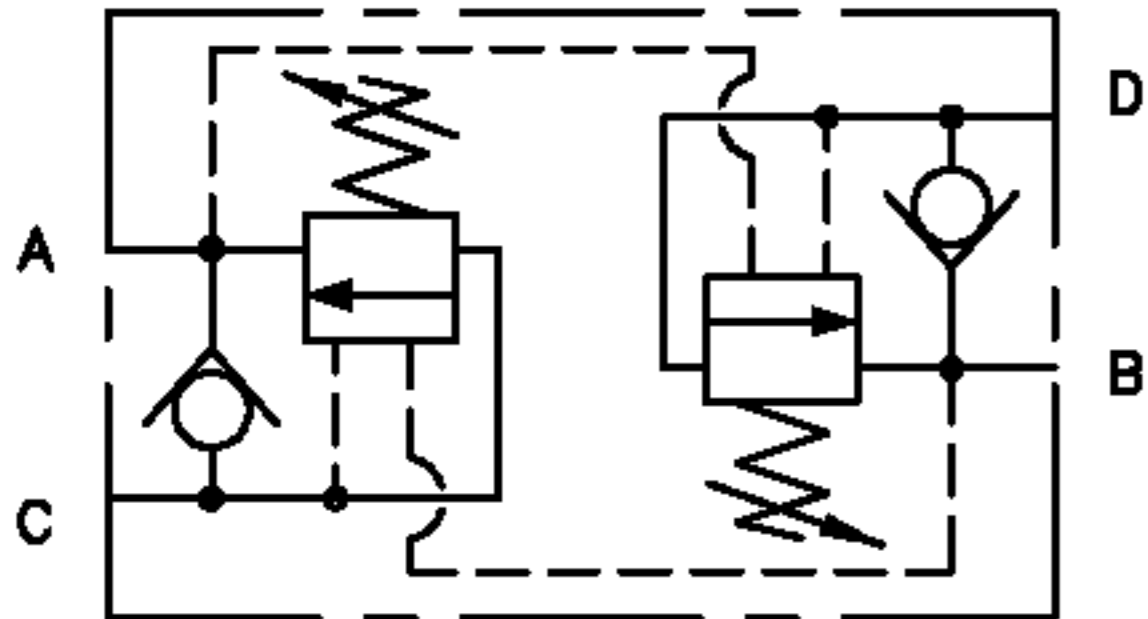
DUAL OVERCENTRE VALVE
 EXAMPLE V-456-A 7:1 RATIO
 MAX WORKING PRESSURE 350 BAR

VALVE ORDERING INFORMATION

TYPE	PORTS
V-456-A	1/4 BSP (PL)
V-456-B	3/8 BSP (PL)
V-456-C	1/2 BSP (PL)

7:1 STD RATIO, 3.5:1 AVAILABLE ON REQUEST

ALL DIMENSIONS IN MM



VALVE TYPE DUAL OVERCENTRE VALVE

DATE: 09/04/03
 ASSY: 5170
 SCALE: 1:1

TITLE INSTALLATION
 V-456

DRG NO 5171
 ISS A