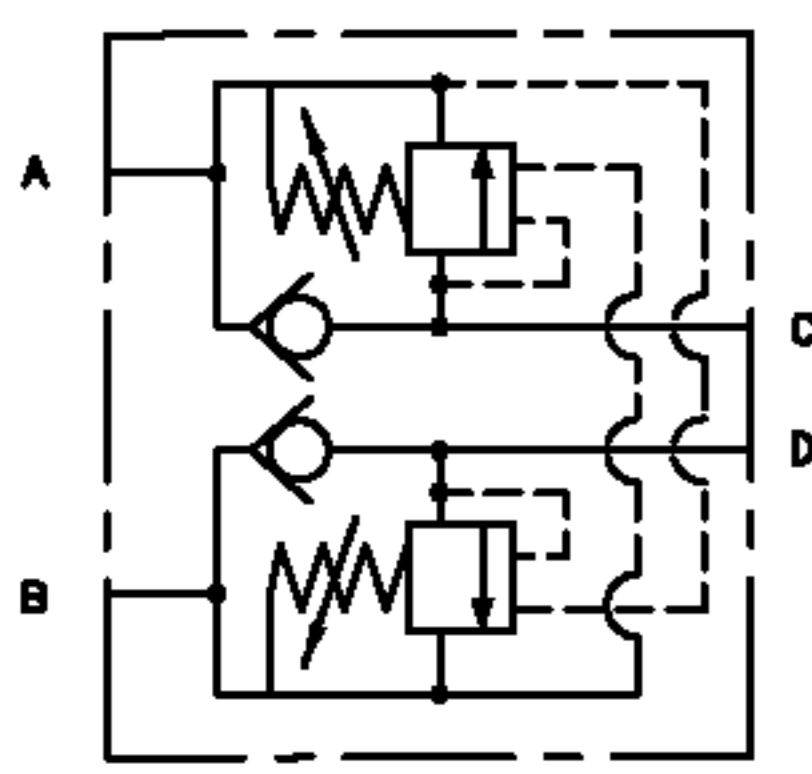
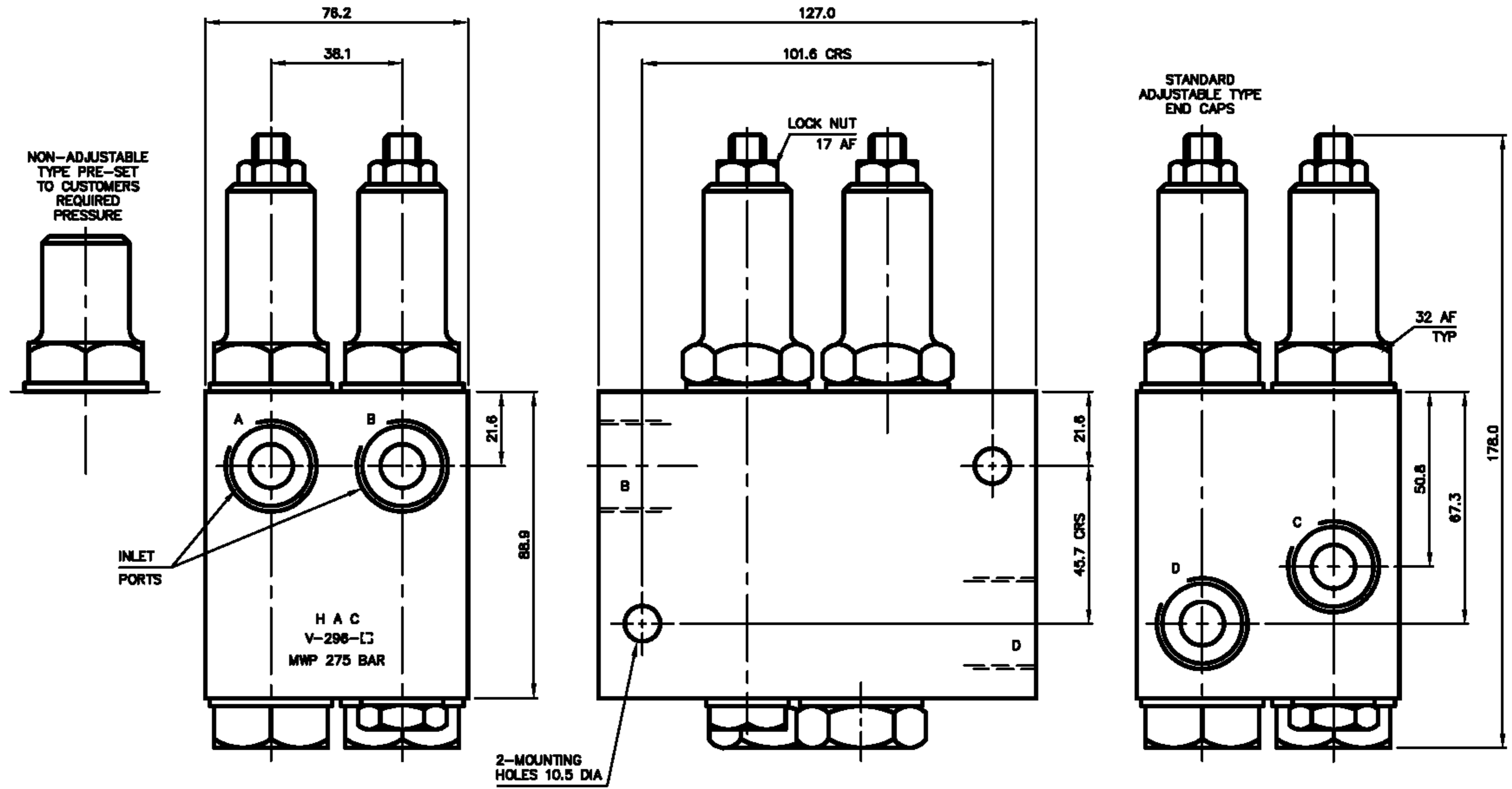
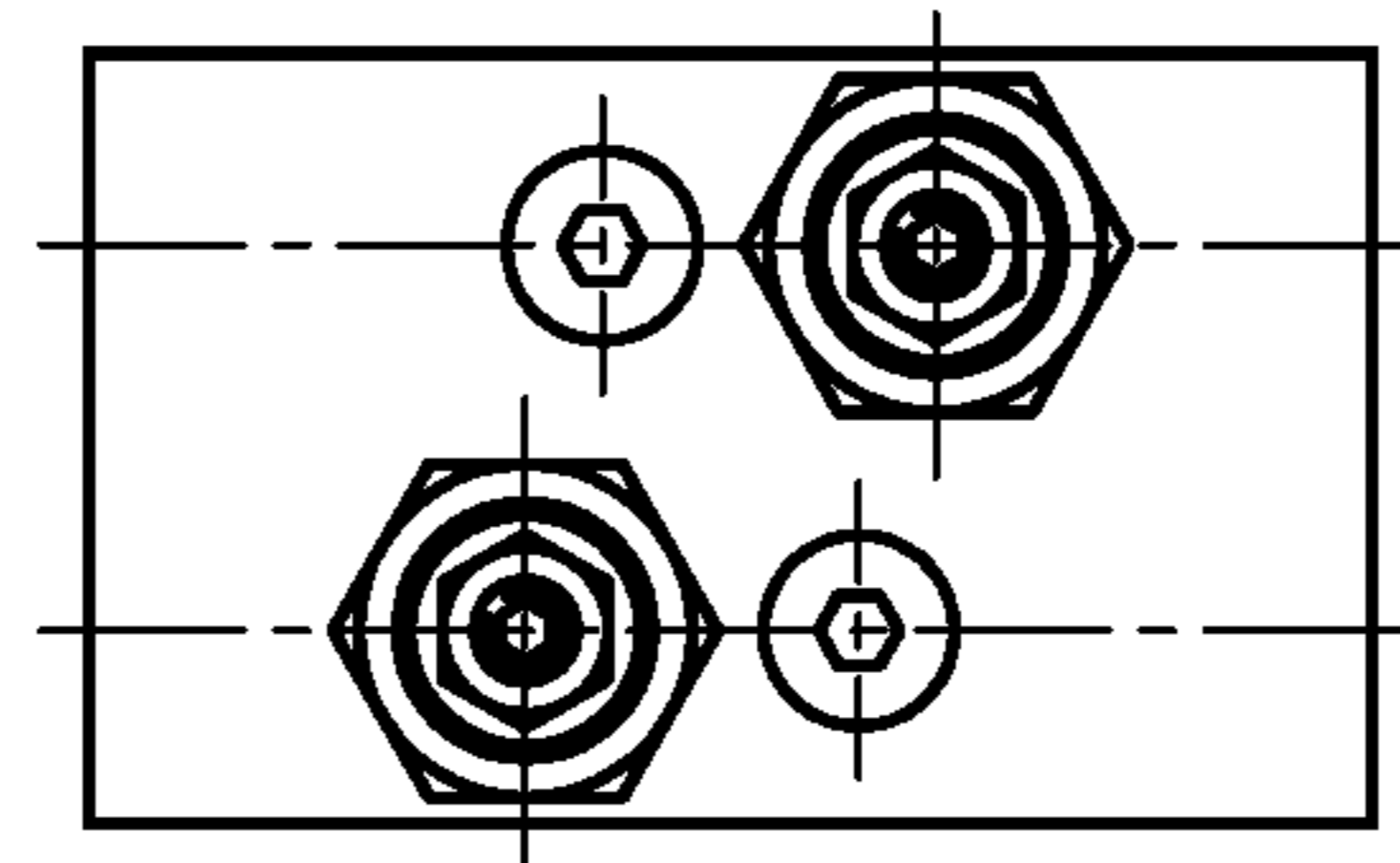


DUAL OVERCENTRE VALVE	
EXAMPLE V-296-□ 10:1 RATIO	
MAX WORKING PRESSURE 275 BAR	

VALVE ORDERING INFORMATION	
TYPE	PORTS
V-296-□	1/2 BSP (PL)
V-296-□	3/4 BSP (PL)
10:1 STANDARD RATIO, 3:1 AVAILABLE ON REQUEST	
ALL DIMENSIONS IN MM	



VALVE TYPE: DUAL OVERCENTRE VALVE
IN-LINE

DATE: 30/01/01
ASSY: 5695
SCALE: 1:1

TITLE: VALVE ASSY
V-296

DRG NO: 5696
ISS: A