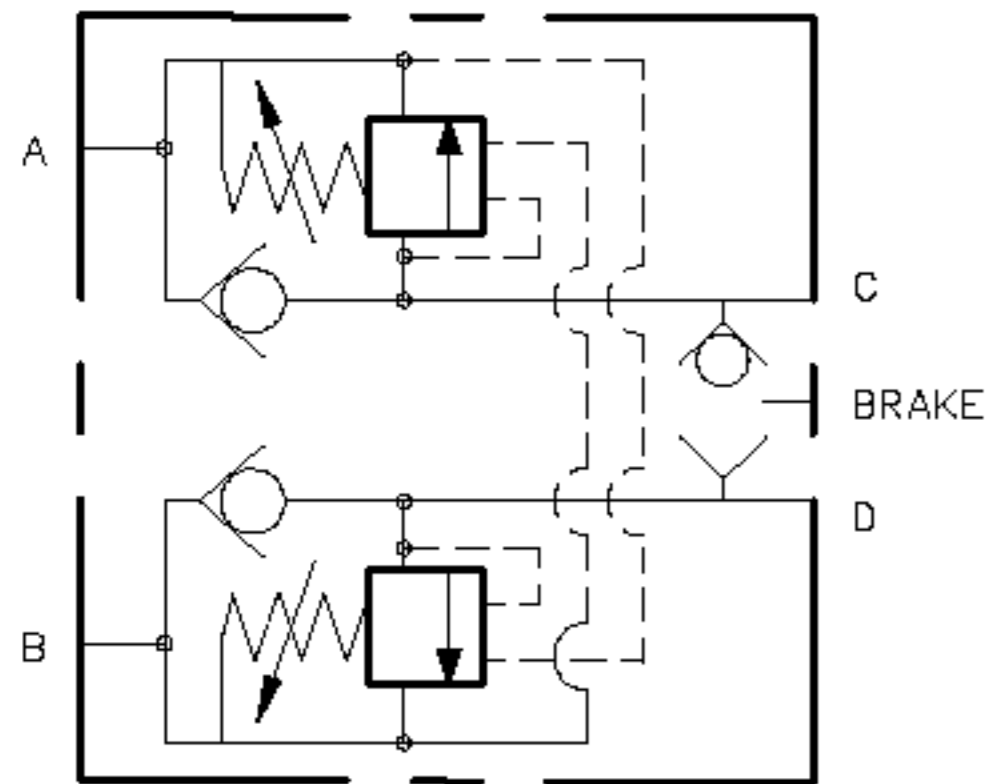
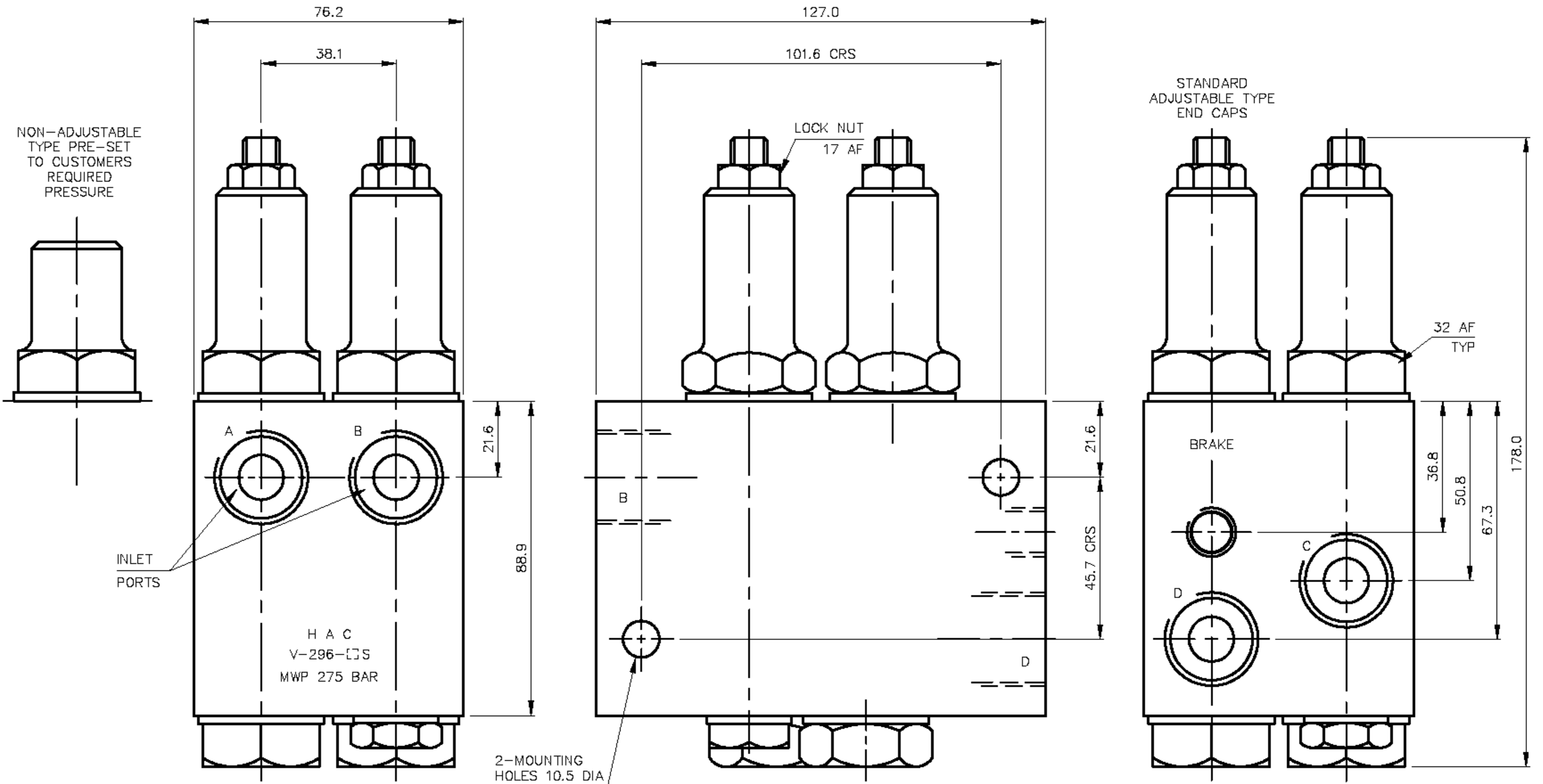
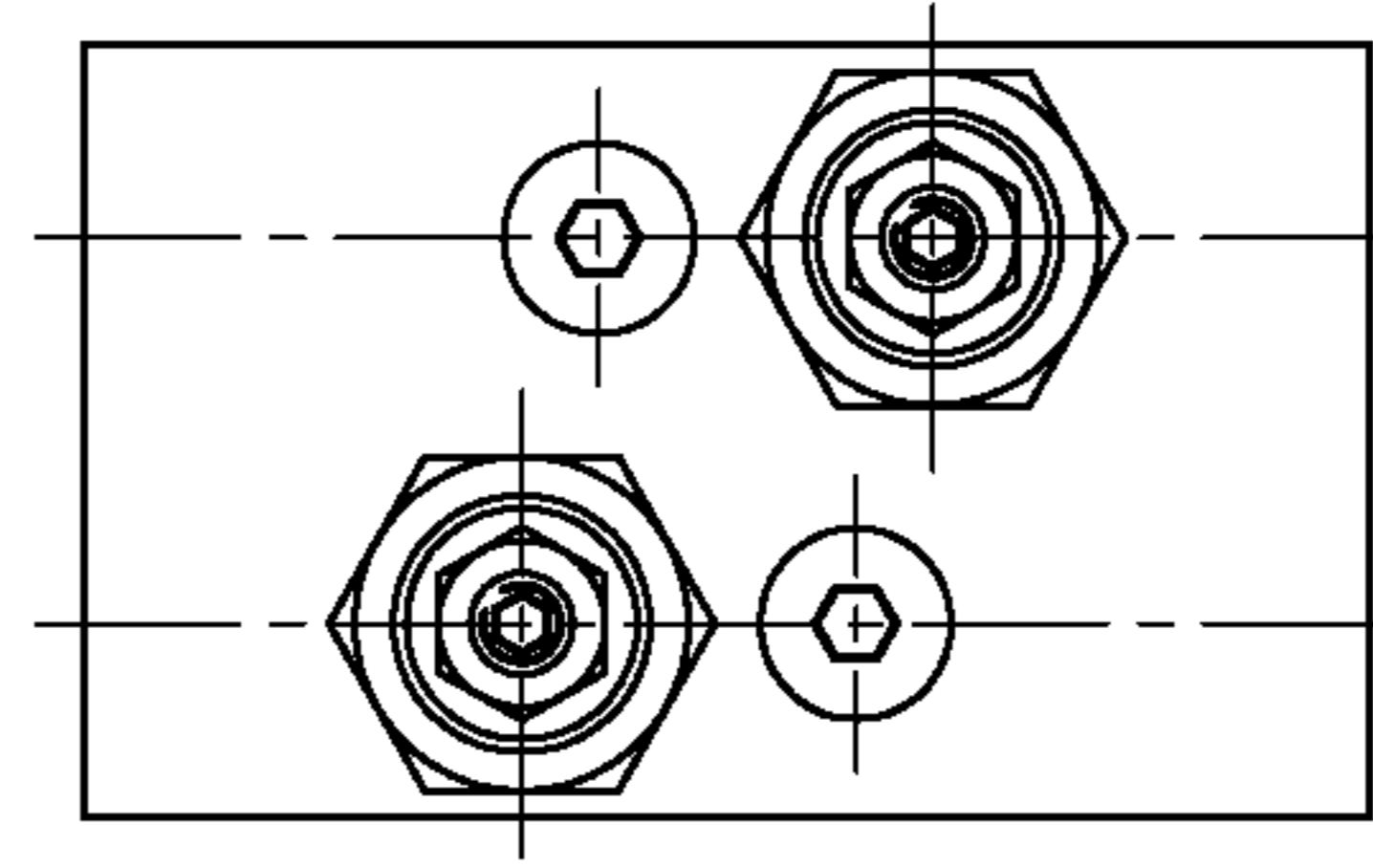


| |
|---|
| DUAL OVERCENTRE VALVE |
| WITH BRAKE RELEASE SHUTTLE |
| EXAMPLE V-296-[]S 10:1 RATIO |
| 10:1 STANDARD RATIO, 3:1 AVAILABLE ON REQUEST |
| MAX WORKING PRESSURE 275 BAR |

| | |
|----------------------------|--------------|
| VALVE ORDERING INFORMATION | |
| TYPE | PORTS |
| V-296-CS | 1/2 BSP (PL) |
| V-296-DS | 3/4 BSP (PL) |
| ALL DIMENSIONS IN MM | |



VALVE TYPE DUAL OVERCENTRE VALVE

DATE: 30/01/01
 ASSY: 9150
 SCALE: 1:1

TITLE VALVE ASSY
 V-296-[]S

DRG NO 9151

ISS A