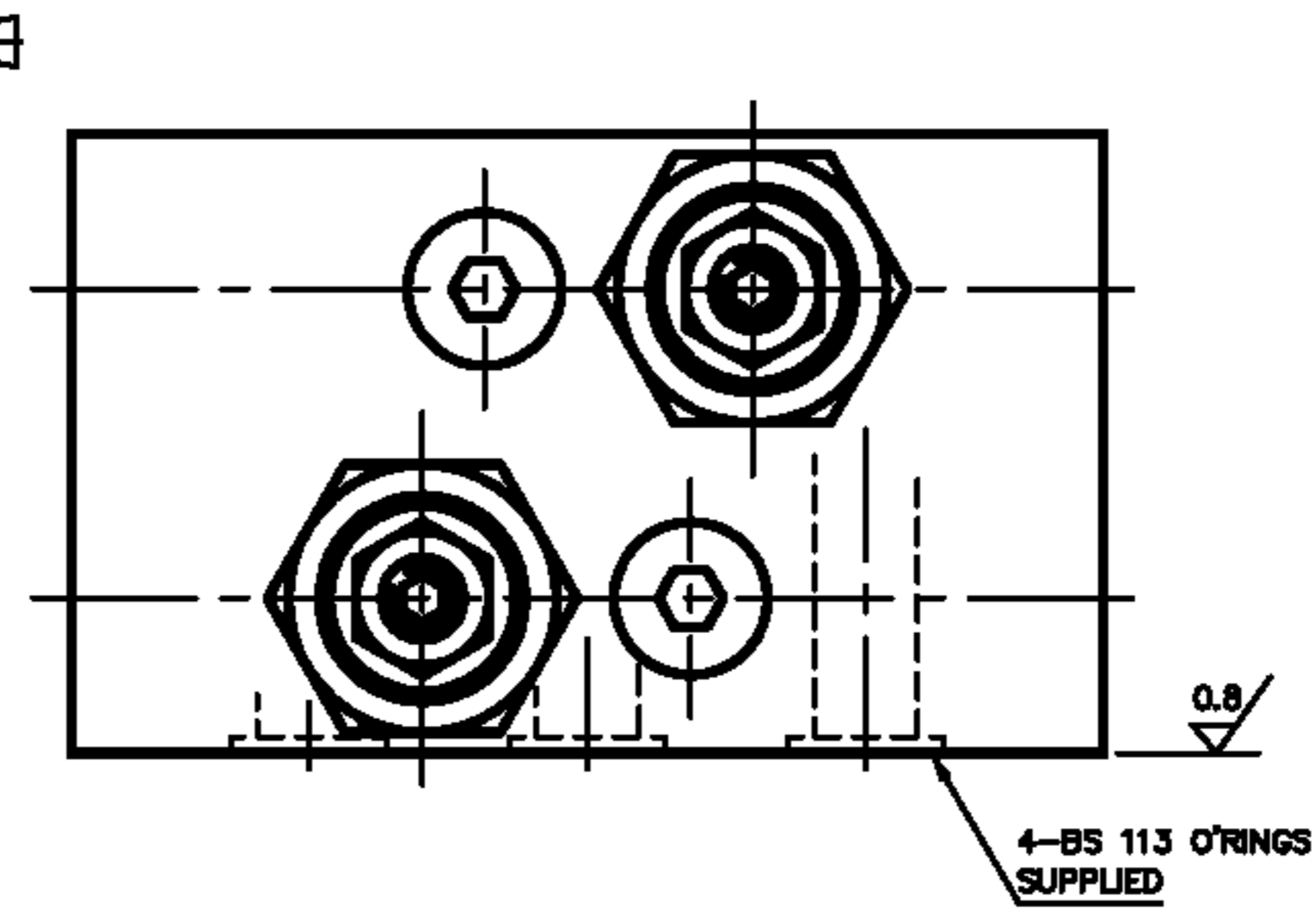
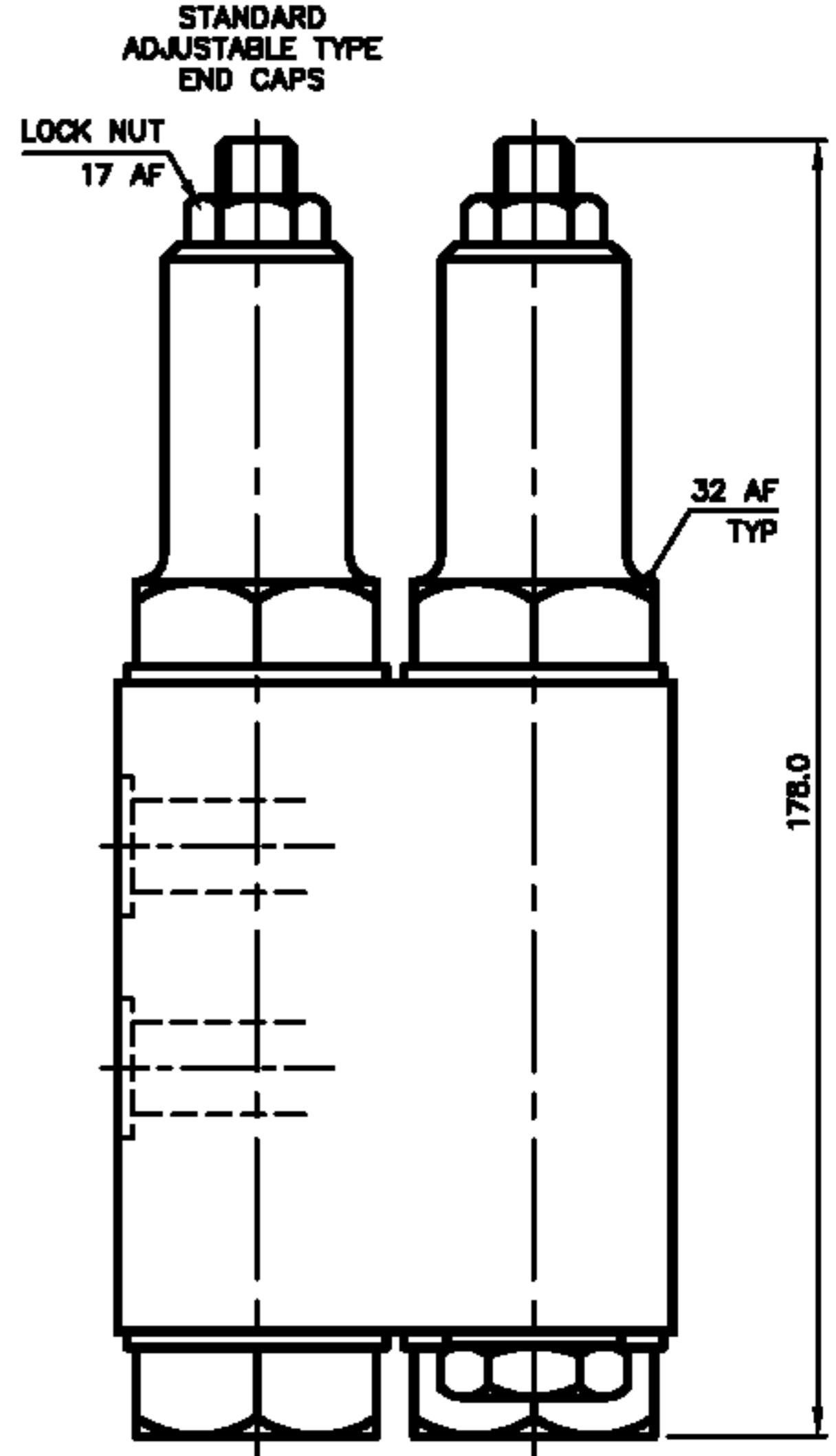
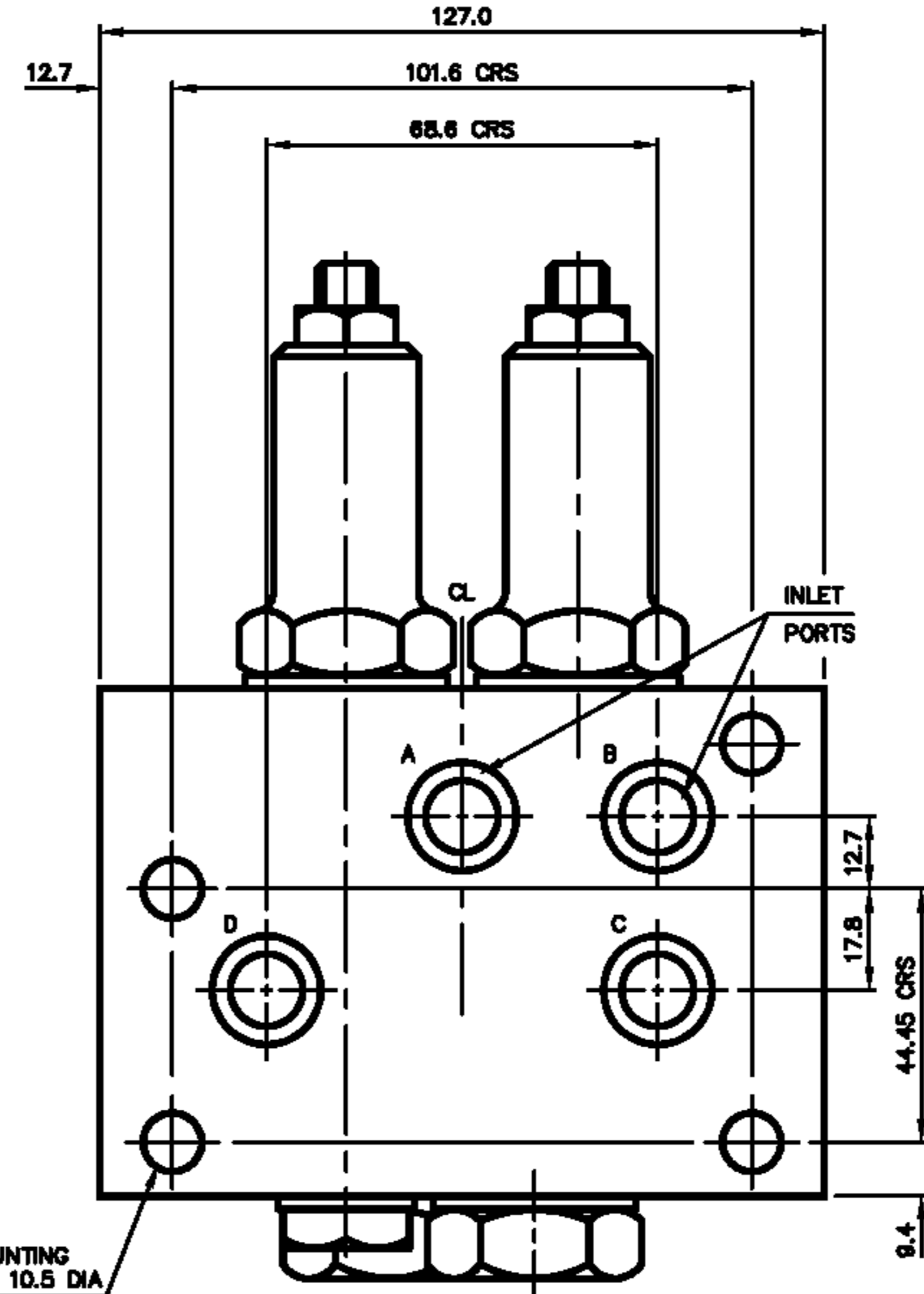
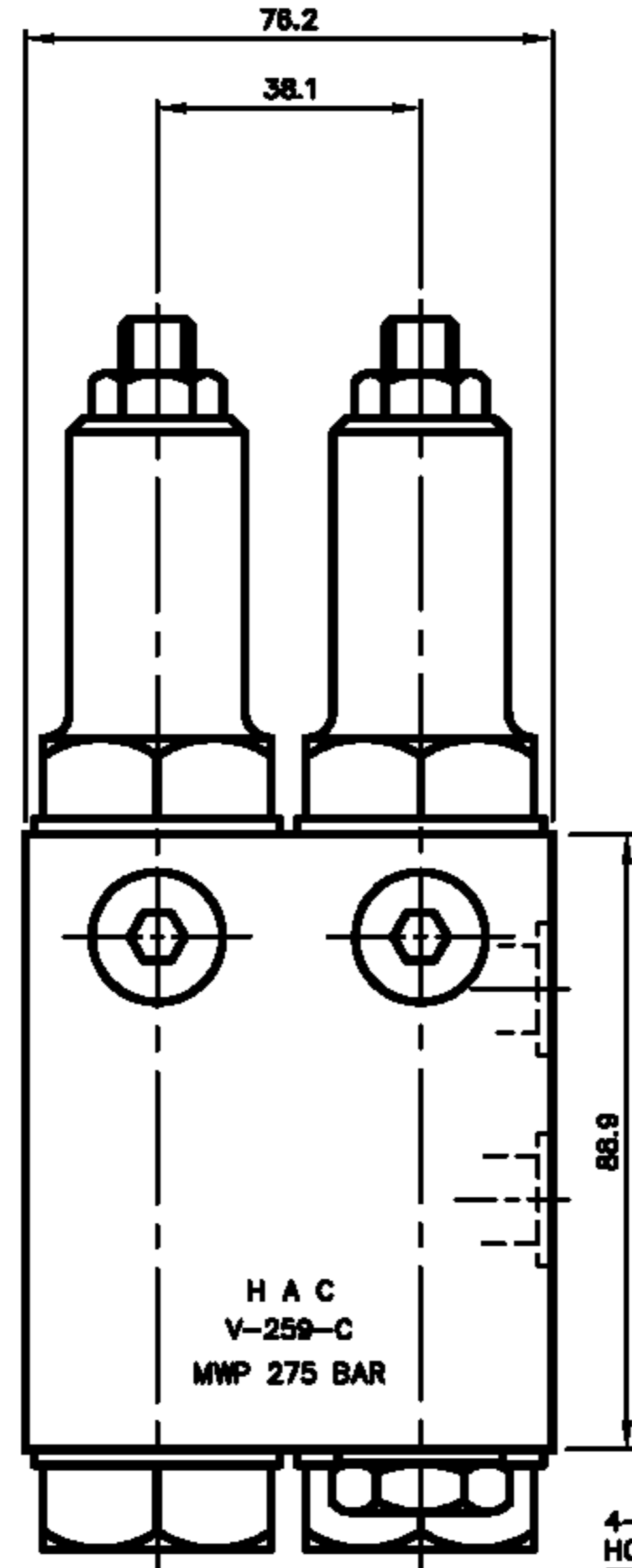
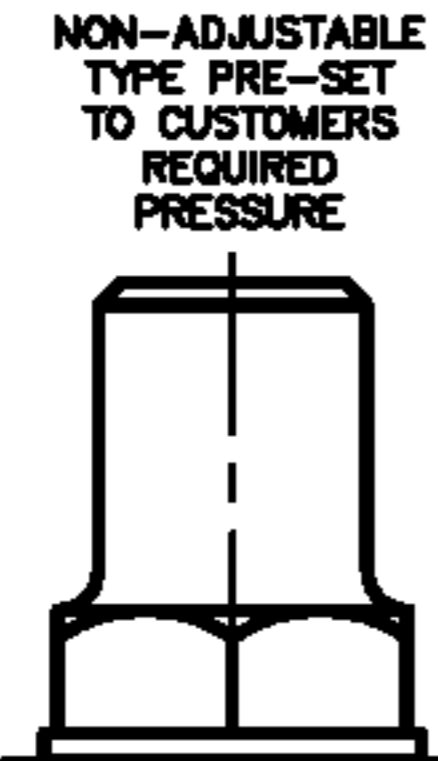
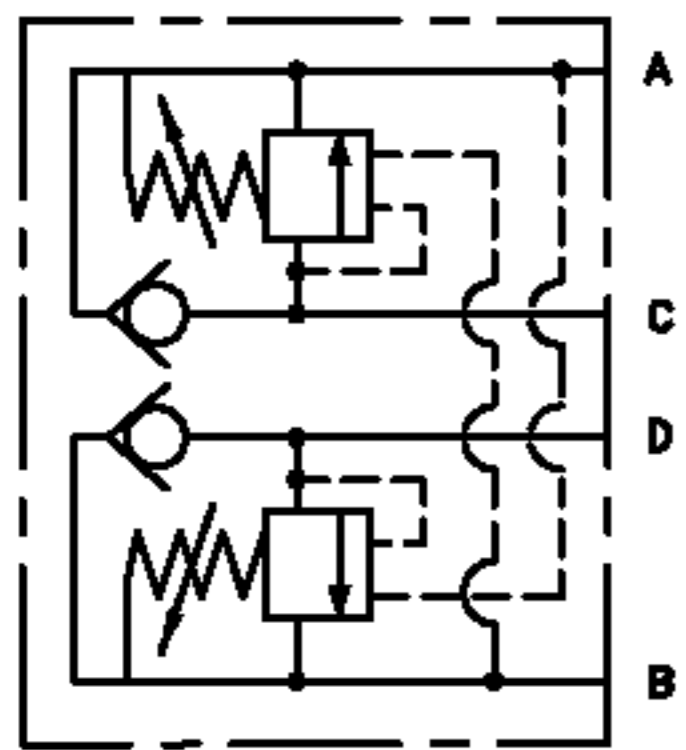


<b>DUAL OVERCENTRE VALVE</b>	
EXAMPLE V-258 10:1 RATIO	
MAX WORKING PRESSURE 275 BAR	

VALVE ORDERING INFORMATION	
TYPE	PORTS
V-258	1/2 BSP (PL)
10:1 STANDARD RATIO, 3:1 AVAILABLE ON REQUEST	
ALL DIMENSIONS IN MM	



VALVE TYPE  
**DUAL OVERCENTRE VALVE**  
MANFOLD MOUNTED

DATE: 30/01/01  
ASSY: 5490  
SCALE: 1:1

TITLE  
**VALVE ASSY**  
V-258

DRG NO  
**5851**  
ISS  
**A**