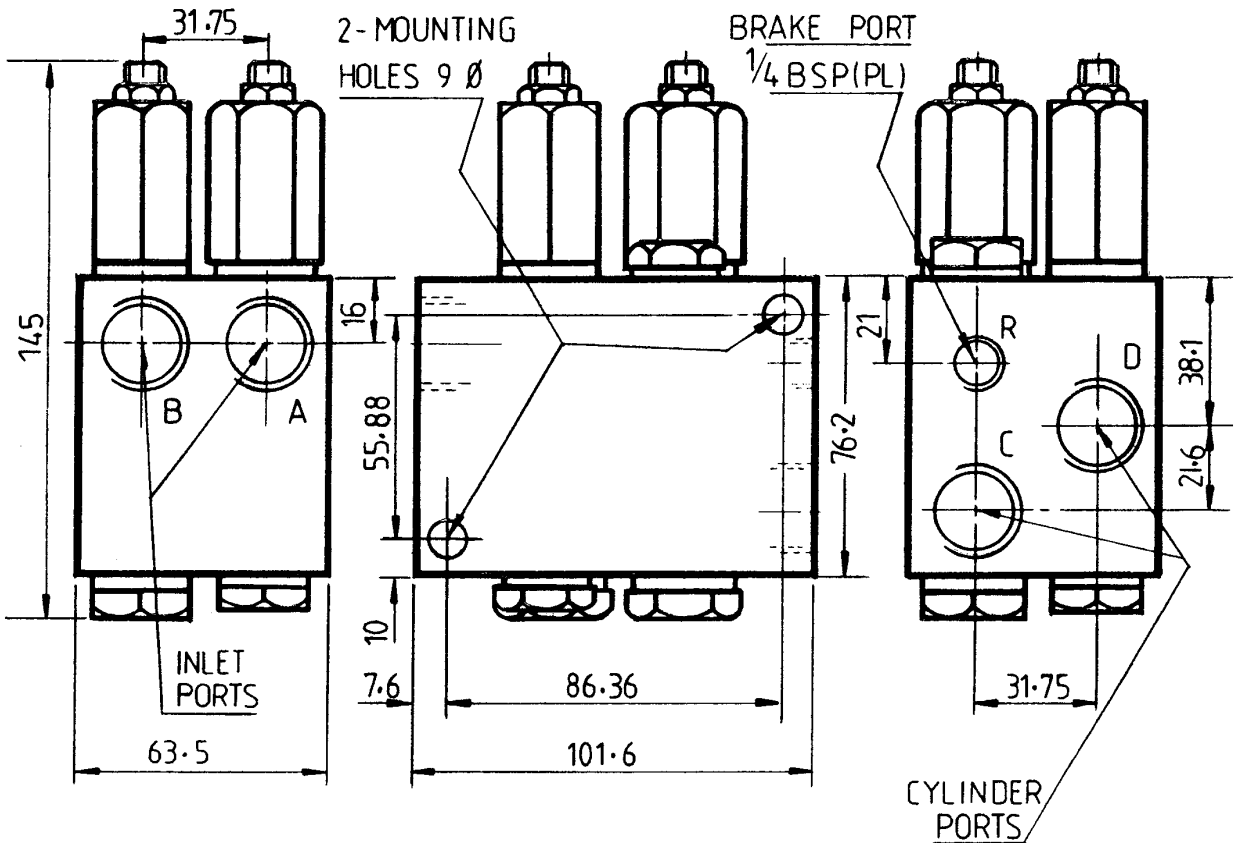


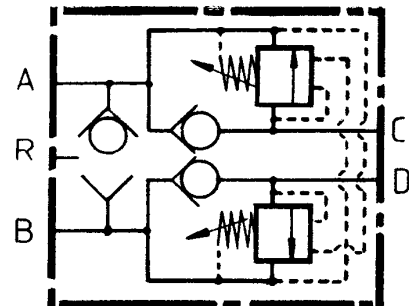


DUAL OVERCENTRE
VALVE
INC BRAKE PORT



MAX WORKING PRESSURE 350 BAR

ORDERING INFORMATION	
TYPE	PORTS
V-496-AS	1/4 BSP(PL)
V-496-BS	3/8 BSP(PL)
V-496-CS	1/2 BSP(PL)



SYMBOL V-496 INC BRAKE SHUTTLE

OVERCENTRE VALVES ARE USED TO PREVENT LOADS FROM RUNNING AHEAD OF PUMP OUTPUT AND TO LOCK HYDRAULIC CYLINDERS WITHOUT DRIFT. CAN BE USED IN PLACE OF P.O.CHECK VALVES TO ALLOW SMOOTHER LOAD CONTROL.

THE SHUTTLE VALVE PROVIDES A SOURCE FOR HYDRAULICALLY RELEASING A SPRING APPLIED MECHANICAL BRAKE OR A LOAD PRESSURE SIGNAL FOR LOAD SENSING CIRCUITS.

ALL DIMENSIONS IN MM

HYDRAULIC ACTUATORS AND CONTROLS LTD

104 Maybury Road, Woking, Surrey GU21 5JL, England.

Tel: (01483) 762745

Fax: (01483) 765320