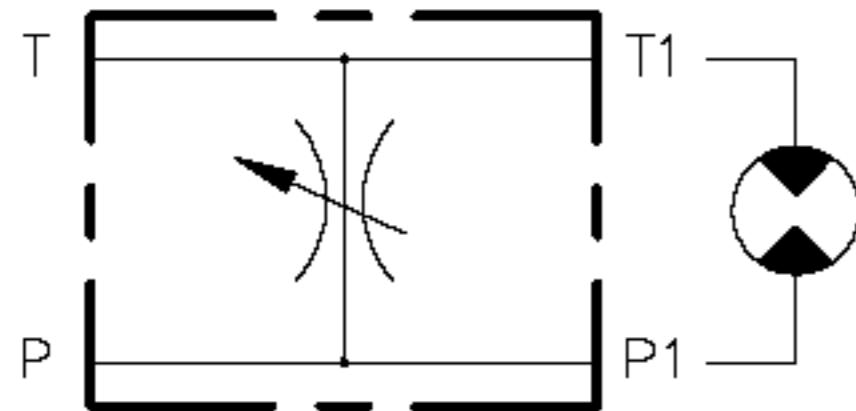
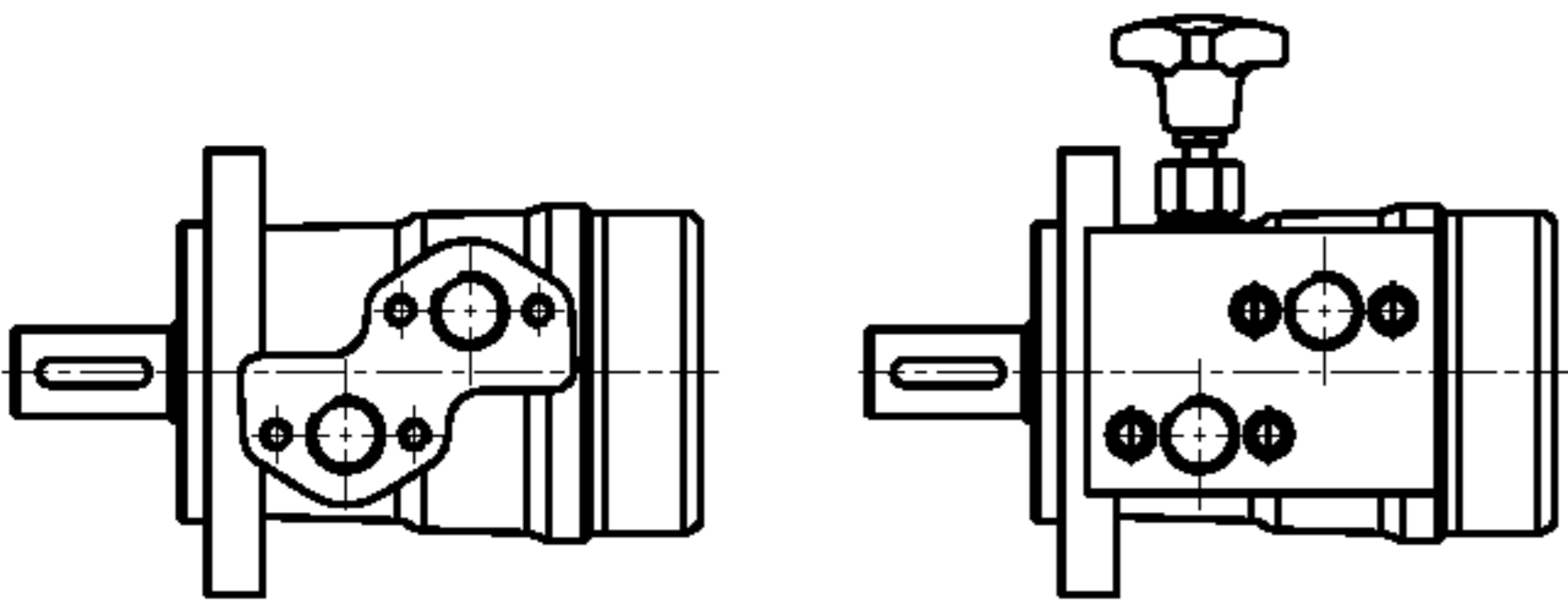


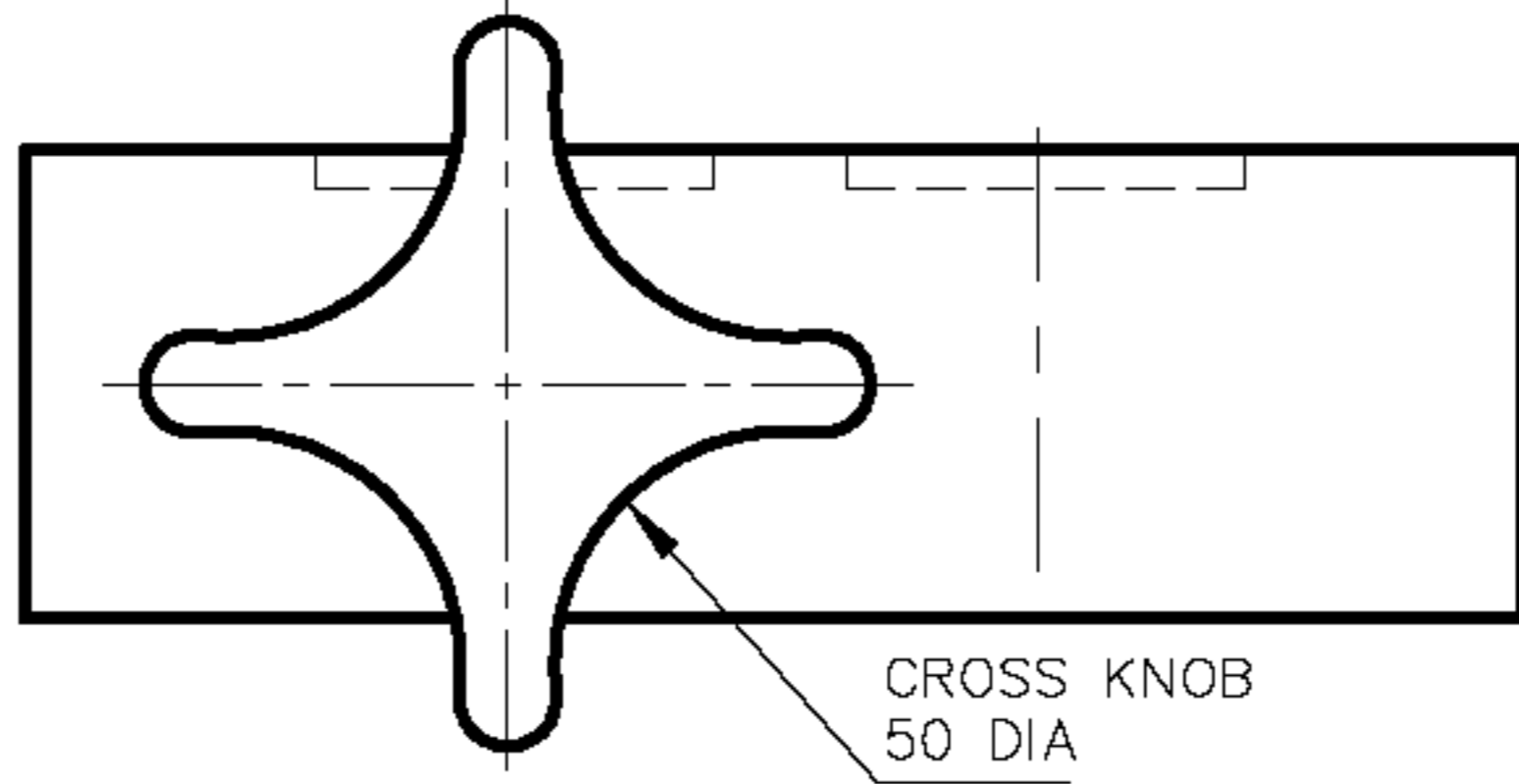
MOTOR FLOW CONTROL VALVE
EXAMPLE V-645
MAX WORKING PRESSURE 350 BAR



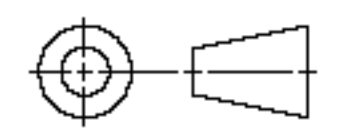
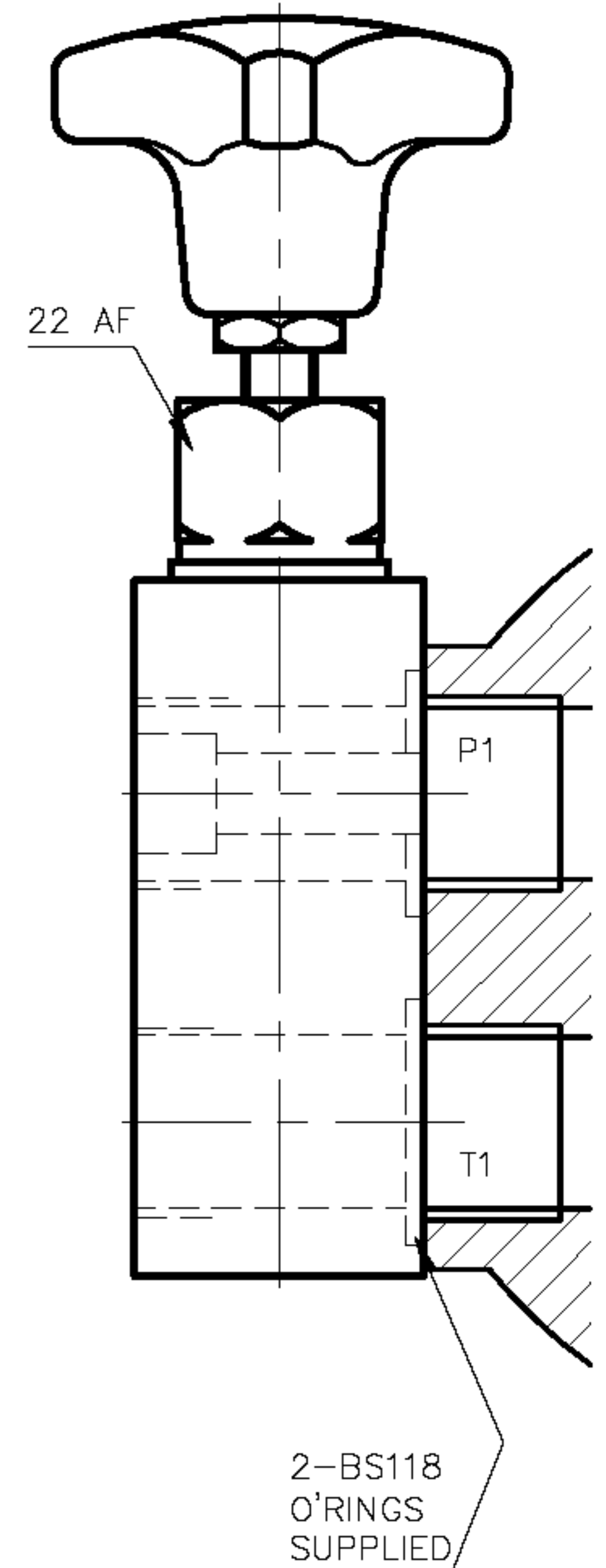
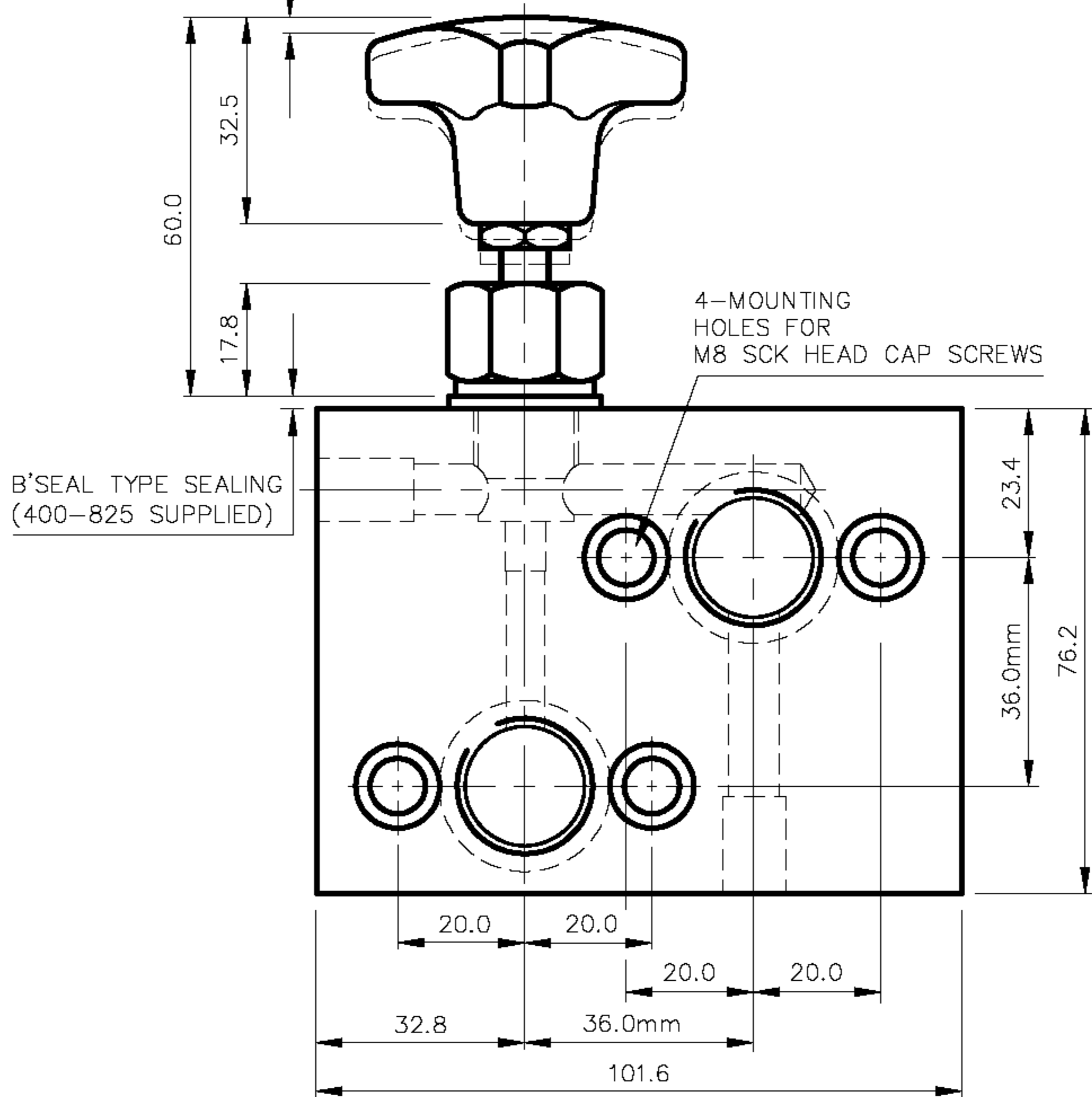
VALVE ORDERING INFORMATION	
TYPE	THRD
V-645-C	3/8 BSP (PL)
ALL DIMENSIONS IN MM	



TO FIT THE FOLLOWING MOTORS
ADAN AVMP & AWMR TYPE
SAUER DANFOSS OMP & OMR TYPE
WHITE HYDRAULICS MP & MR



OPEN POSITION SHOWN.
TRAVEL 2.5/3.0 TO CLOSE



TYPE MOTOR FLOW CONTROL VALVE
MANIFOLD MOUNTED

DATE: 21/01/04
ASSY: 5135 **CAT**
SCALE: 1:1

TITLE INSTALLATION
V-645

DRG NO
5136

ISS
A