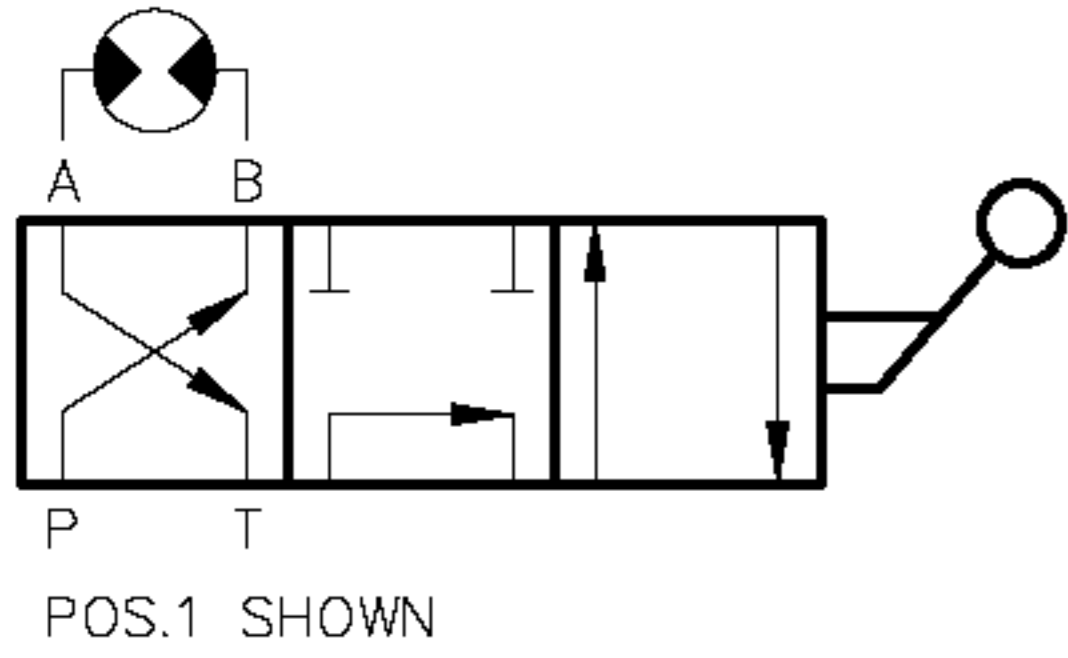


MOTOR ROTARY DIVERTER VALVE

EXAMPLE V-631-□

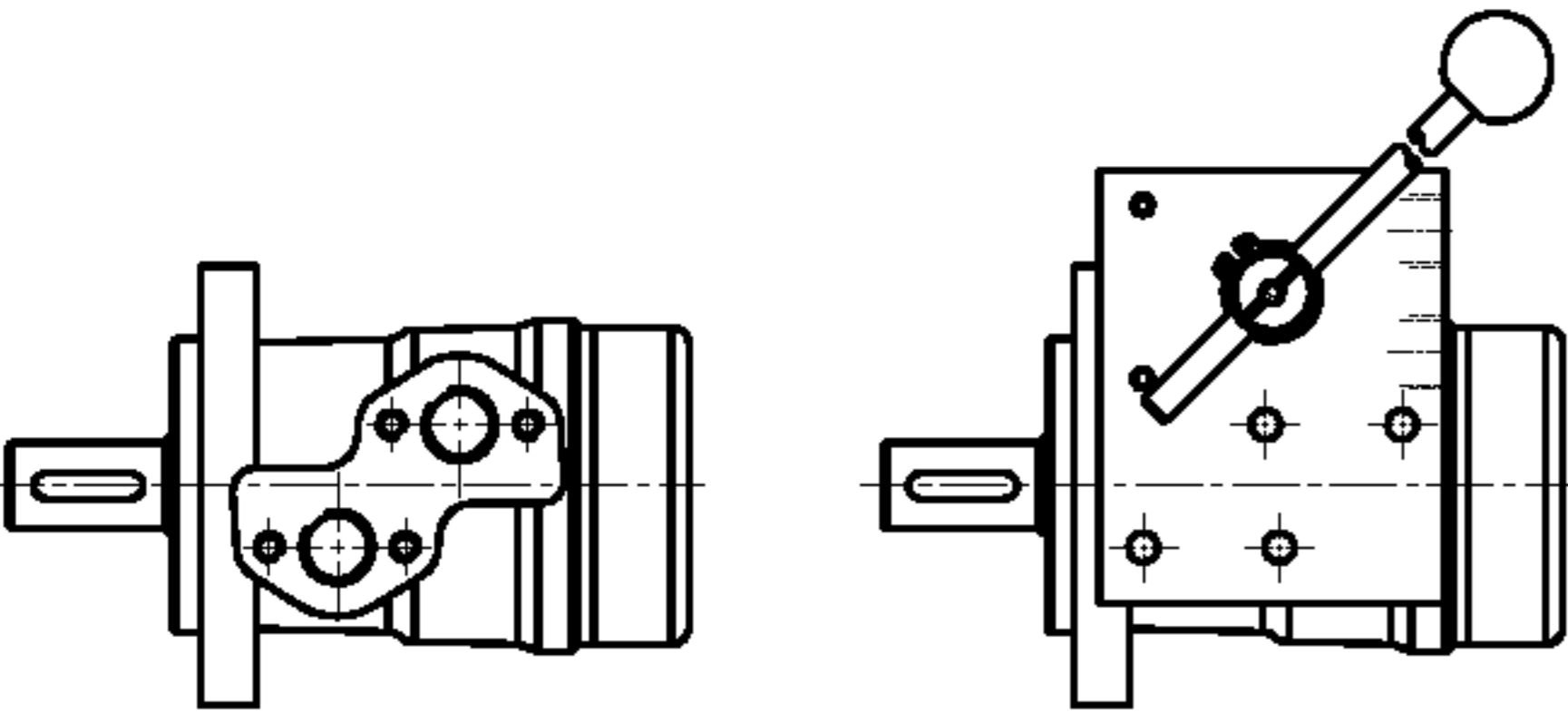
MAX WORKING PRESSURE 210 BAR



VALVE ORDERING INFORMATION

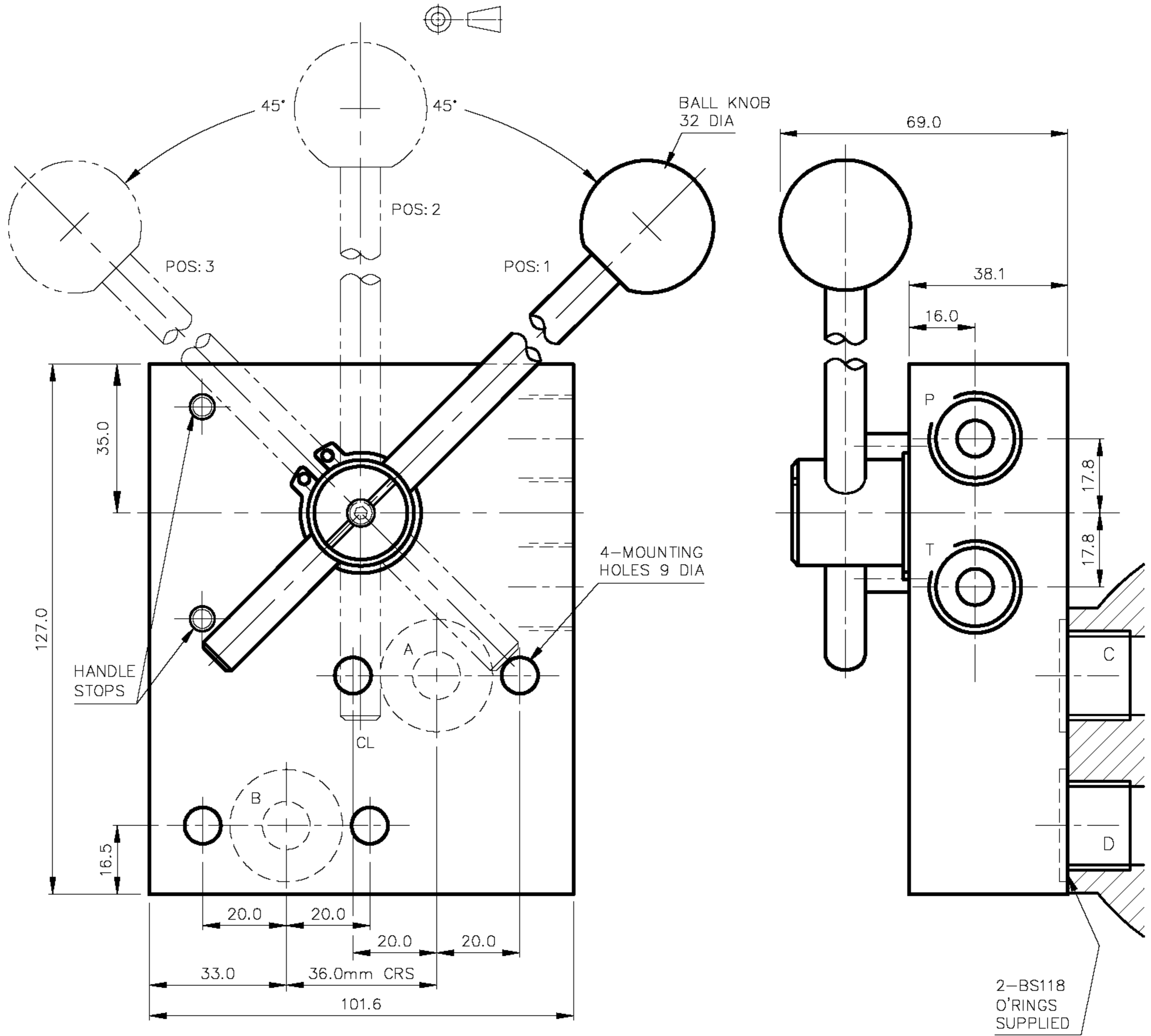
TYPE	PORTS
V-631-B	3/8 BSP (PL)
V-631-C	1/2 BSP (PL)

ALL DIMENSIONS IN MM



TO FIT THE FOLLOWING MOTORS

ADAN AVMP & AWMR TYPE
SAUER DANFOSS OMP & OMR TYPE
WHITE HYDRAULICS MP & MR



TYPE MOTOR ROTARY DIVERTER VALVE
MANIFOLD MOUNTED

DATE: 27/05/01
ASSY: 7930 CAT
SCALE: 1:1

TITLE INSTALLATION
V-631

DRG NO 7931
ISS A