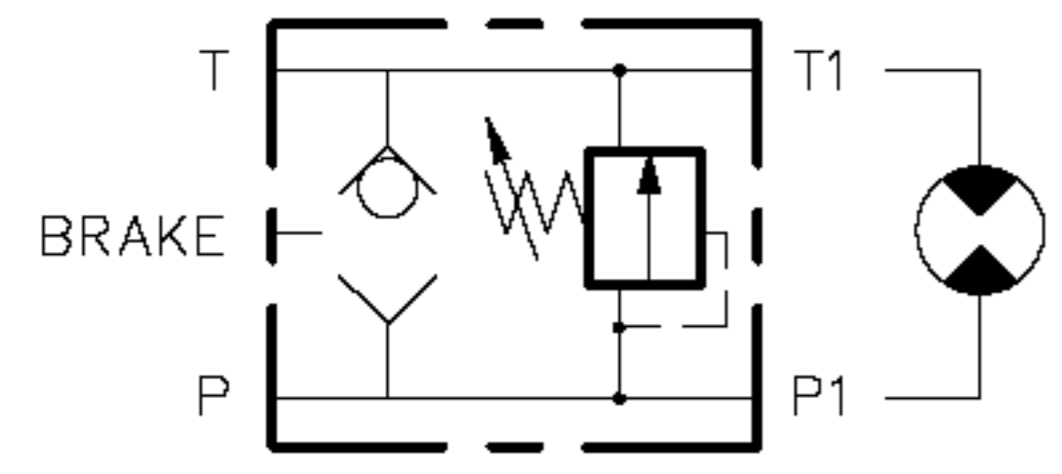
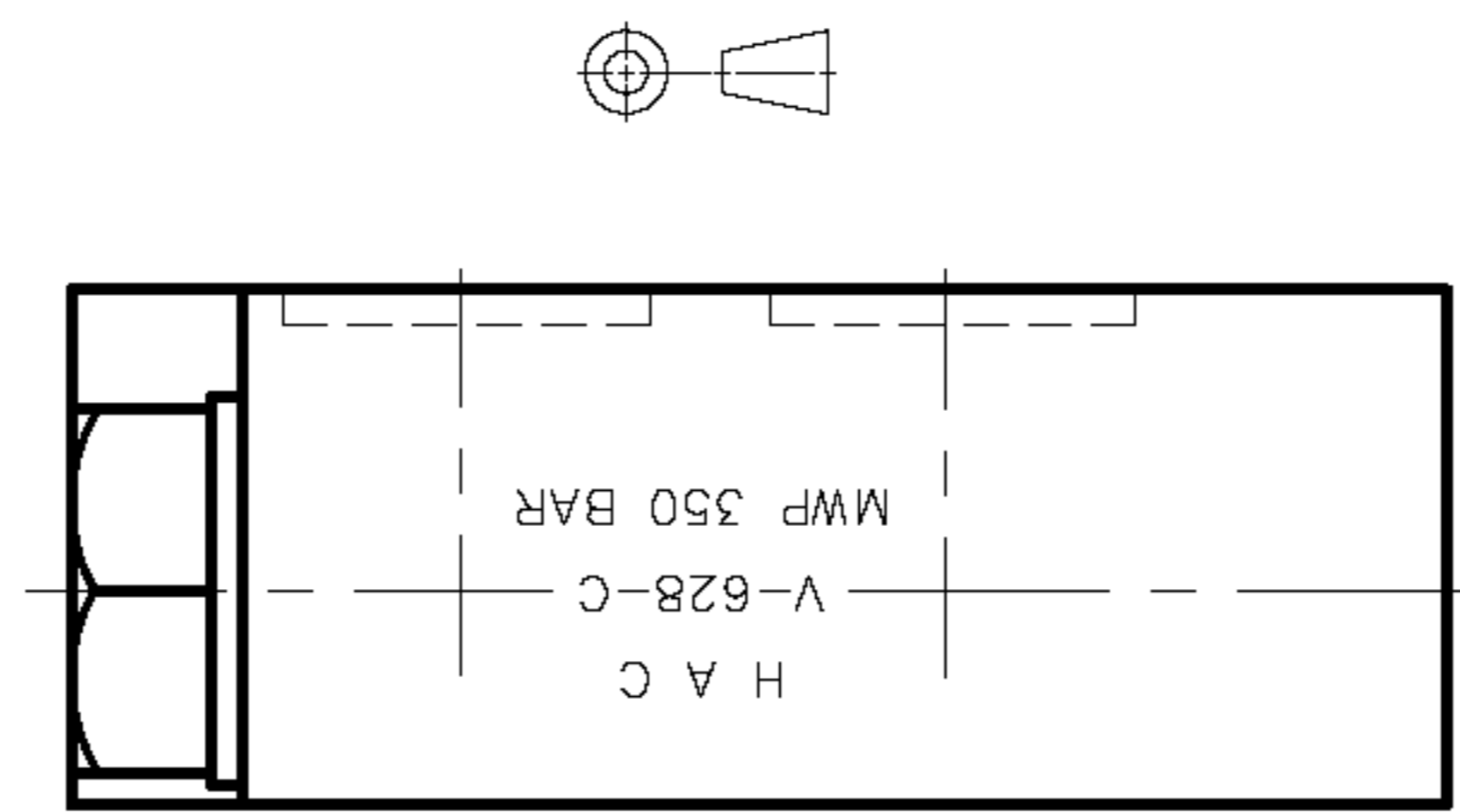
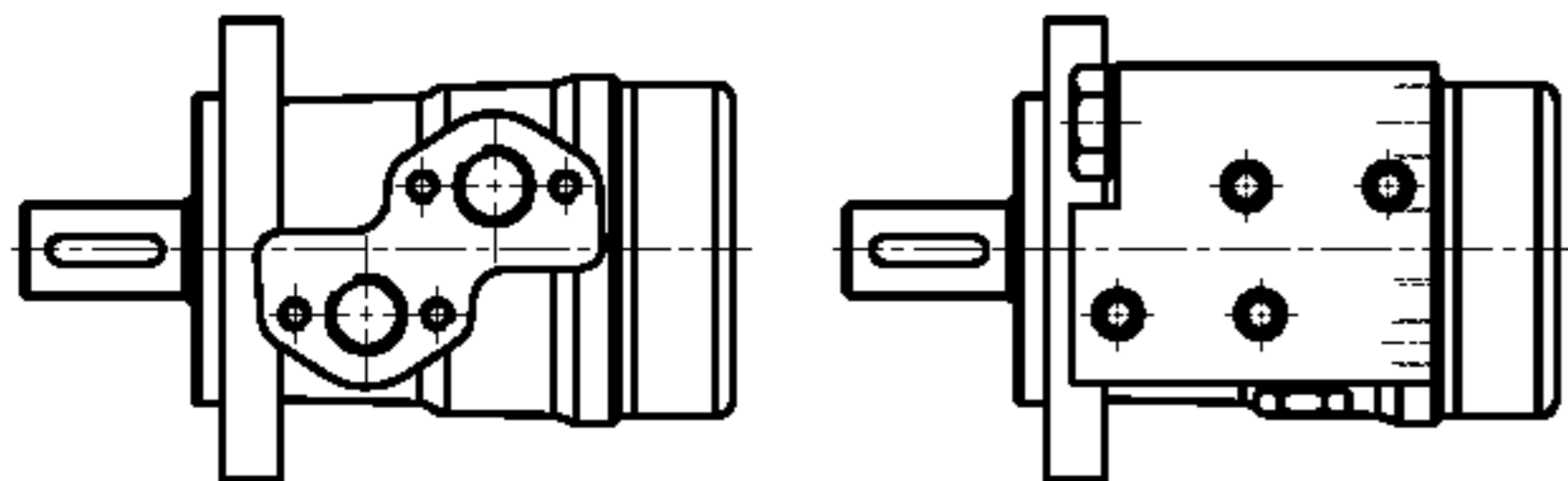


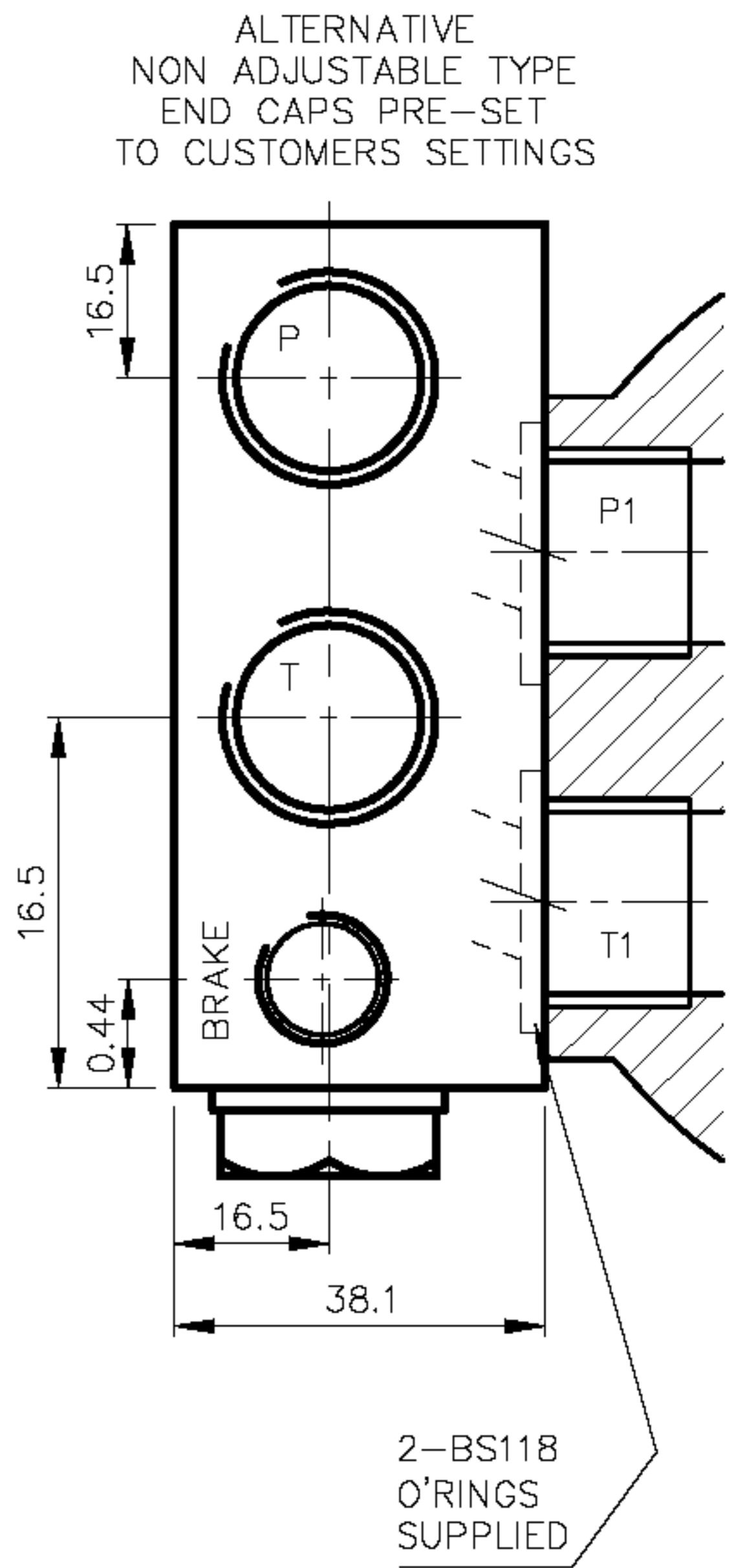
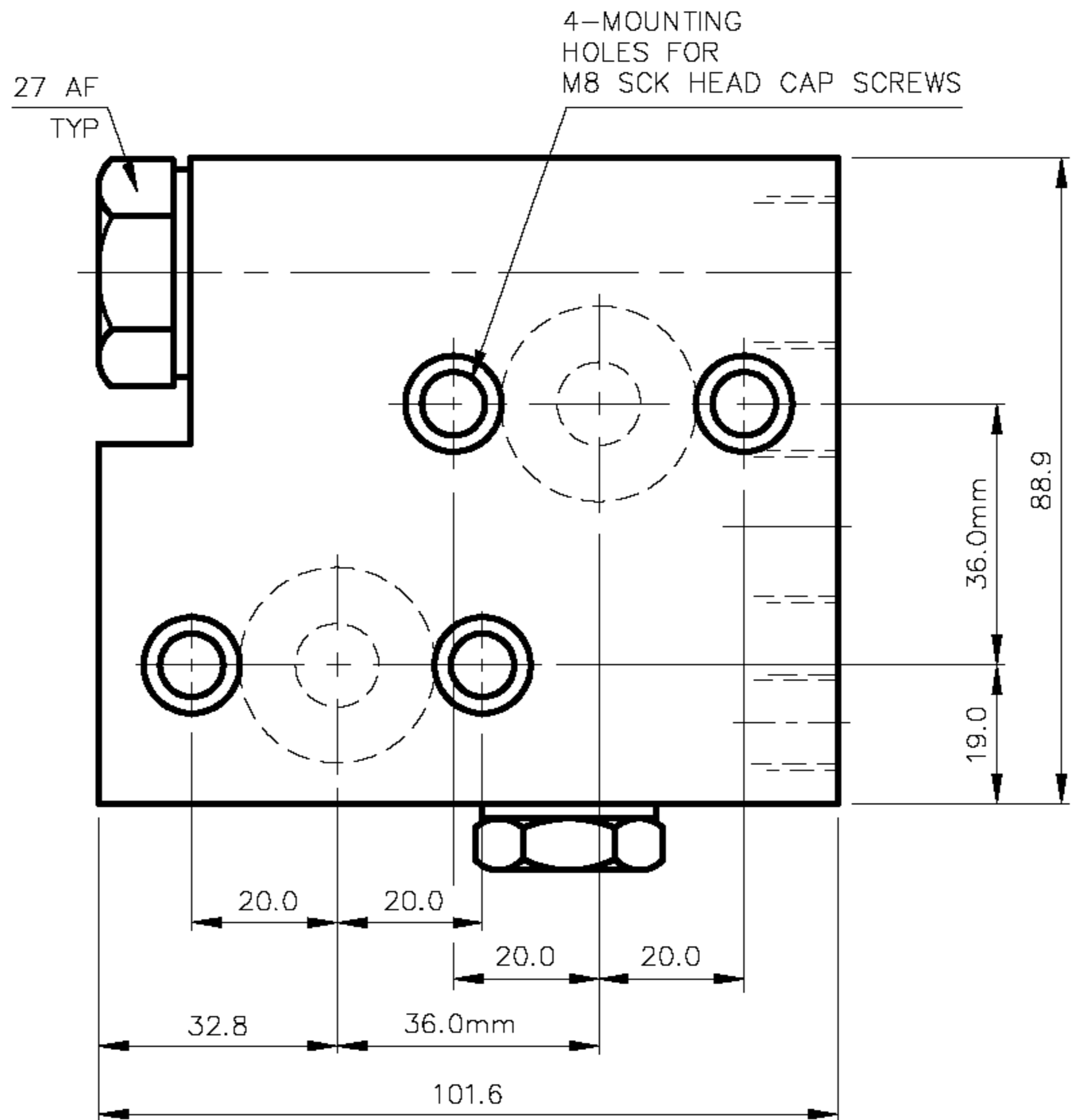
MOTOR SINGLE CROSSLINE RELIEF VALVE
WITH BRAKE RELEASE SHUTTLE
EXAMPLE V-628-CS
RELIEF PRESSURE RANGE AVAILABLE 0-240 BAR
RELIEF PRESSURE RANGE AVAILABLE 0-138 BAR
RELIEF PRESSURE RANGE AVAILABLE 0-55 BAR
MAX WORKING PRESSURE 350 BAR



VALVE ORDERING INFORMATION		
TYPE	PORTS	BRAKE PORT
V-628-CS	1/2 BSP (PL)	3/8 BSP (PL)
ALL DIMENSIONS IN MM		



TO FIT THE FOLLOWING MOTORS
ADAN AVMP & AWMR TYPE
SAUER DANFOSS OMP & OMR TYPE
WHITE HYDRAULICS MP & MR



TYPE MOTOR SINGLE CROSSLINE RELIEF VALVE
MANIFOLD MOUNTED

DATE: 09/12/03
ASSY: 7850 CAT
SCALE: 1:1

TITLE INSTALLATION
V-628-CS

DRG NO 7851
ISS A