

MOTOR DUAL CROSSLINE RELIEF VALVE

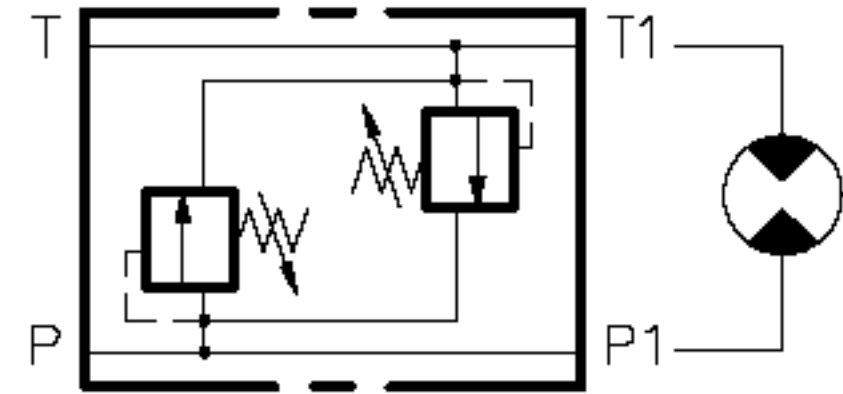
EXAMPLE V-624-□

RELIEF PRESSURE RANGE AVAILABLE 0-240 BAR

RELIEF PRESSURE RANGE AVAILABLE 0-138 BAR

RELIEF PRESSURE RANGE AVAILABLE 0-55 BAR

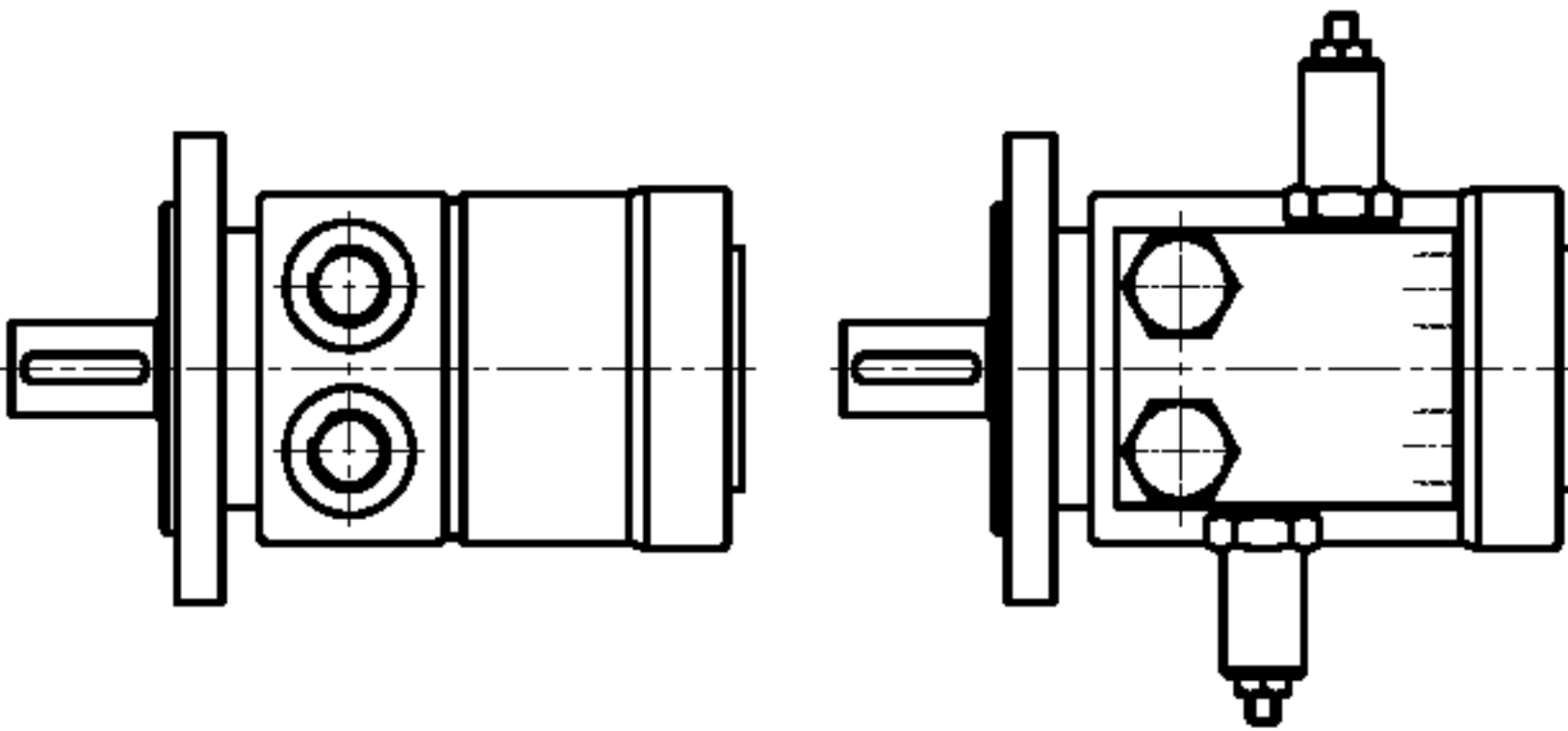
MAX WORKING PRESSURE 350 BAR



VALVE ORDERING INFORMATION

TYPE	PORTS
V-624-A	1/4 BSP (PL)
V-624-B	3/8 BSP (PL)
V-624-C	1/2 BSP (PL)

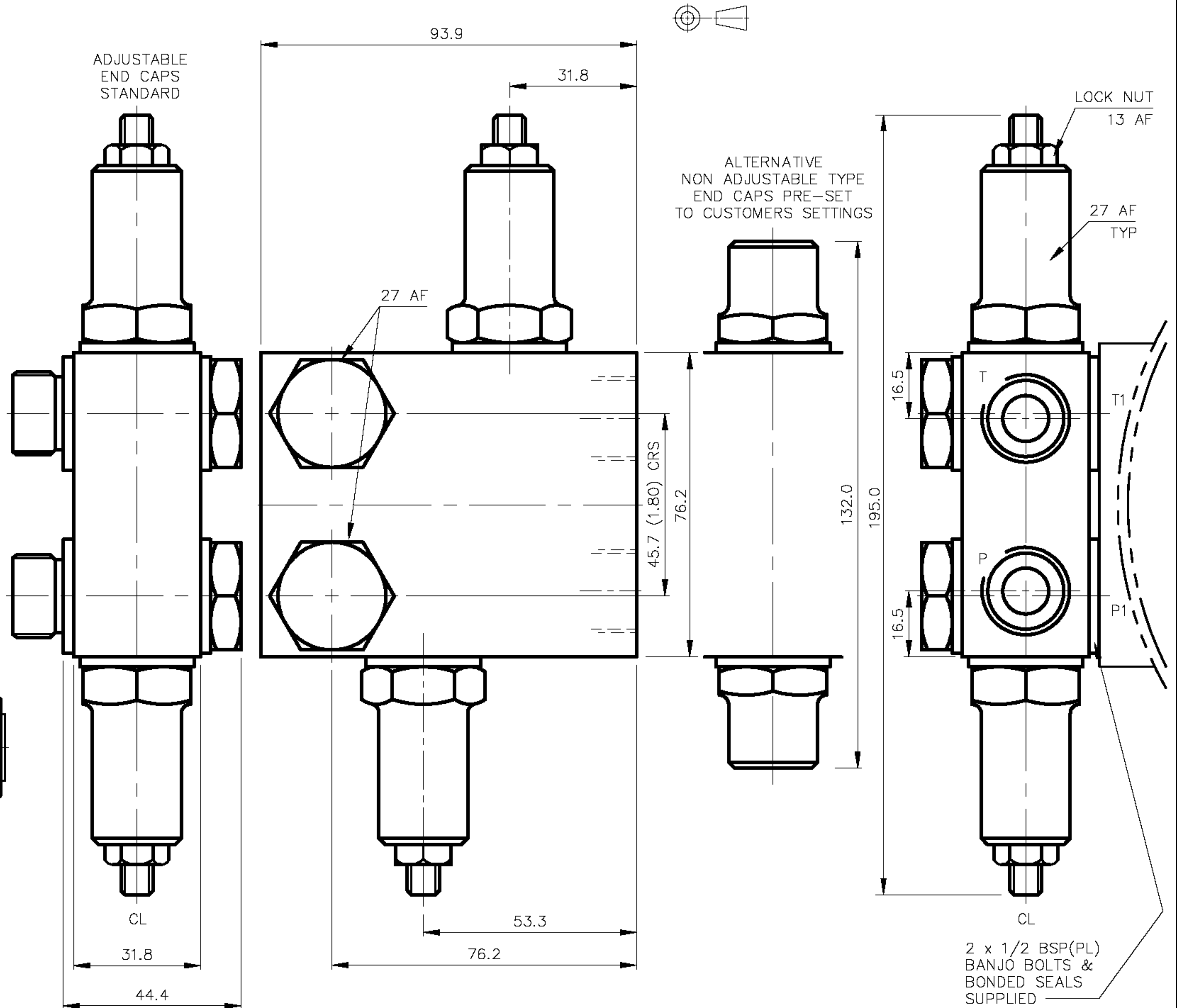
ALL DIMENSIONS IN MM



TO FIT THE FOLLOWING MOTORS

CHAR-LYNN EATON H & S TYPE

PARKER HANNIFIN TE & TF TYPE



VALVE TYPE MOTOR DUAL CROSSLINE RELIEF VALVE
BANJO MOUNTED

DATE: 21/09/02
ASSY: 7105 CAT
SCALE: 1:1

TITLE INSTALLATION
V-624

DRG NO 7106
ISS A