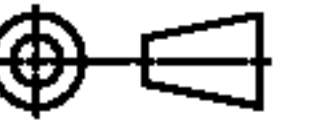
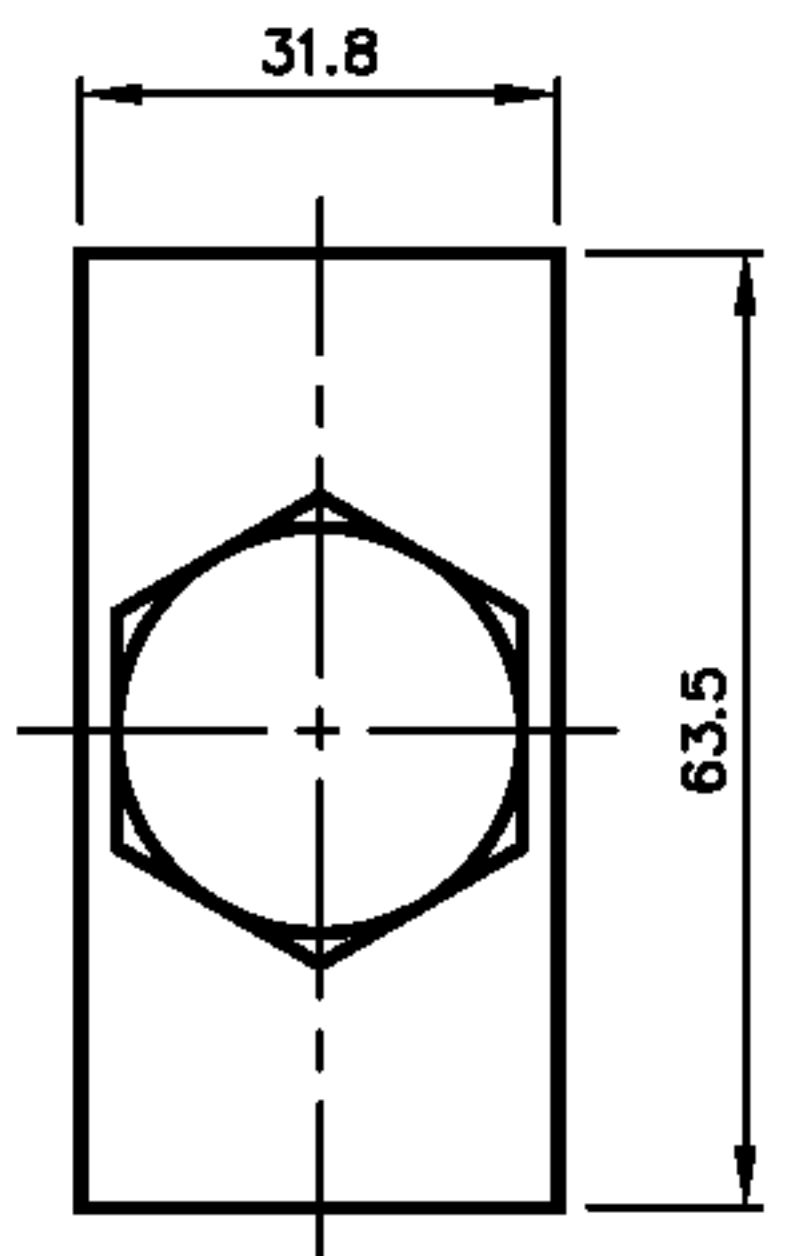
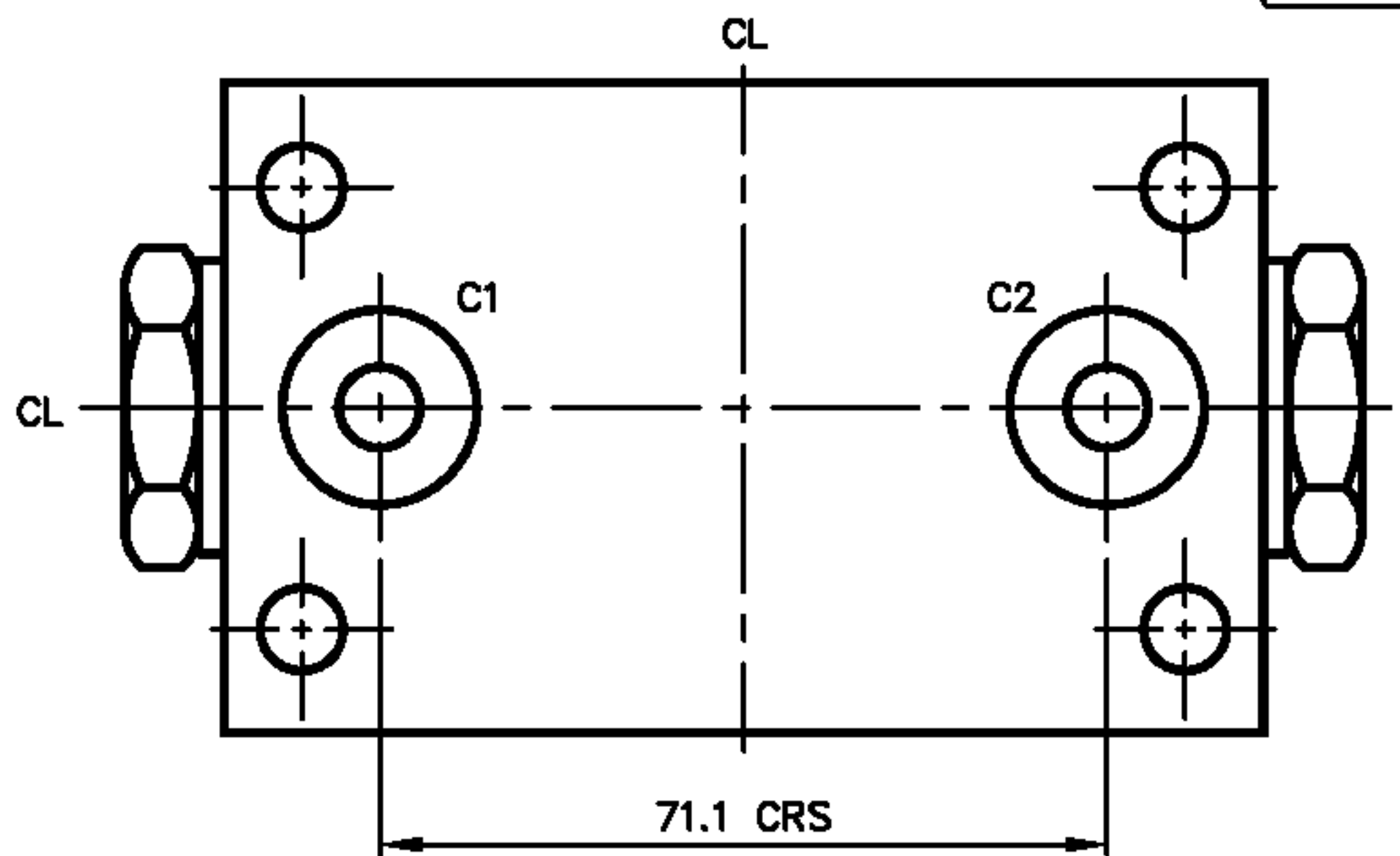
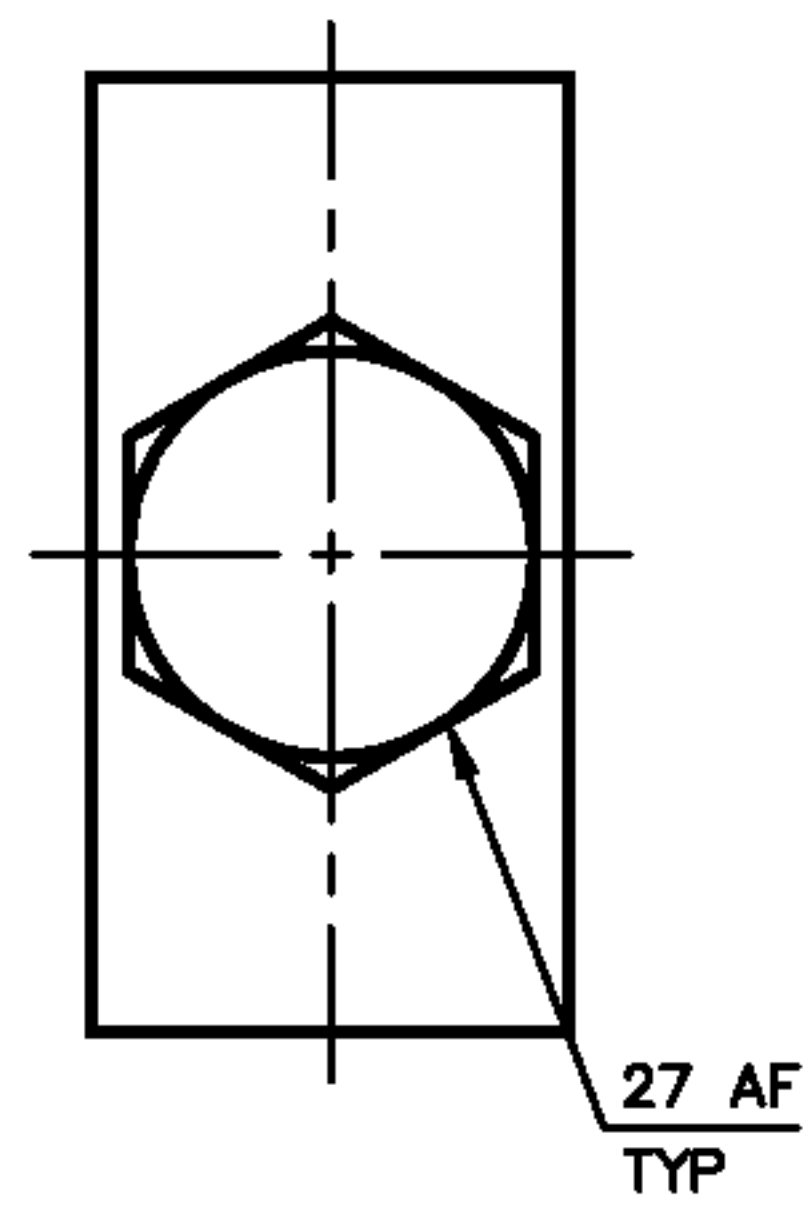
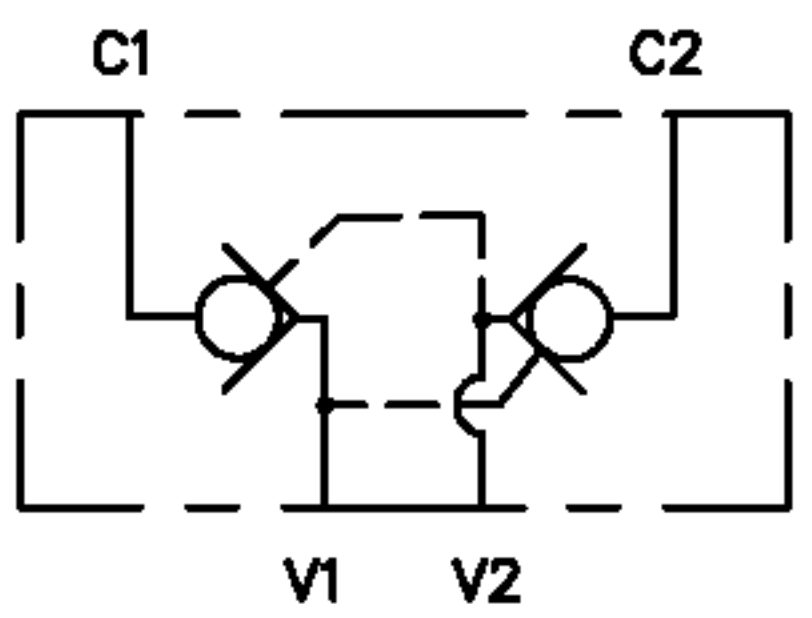
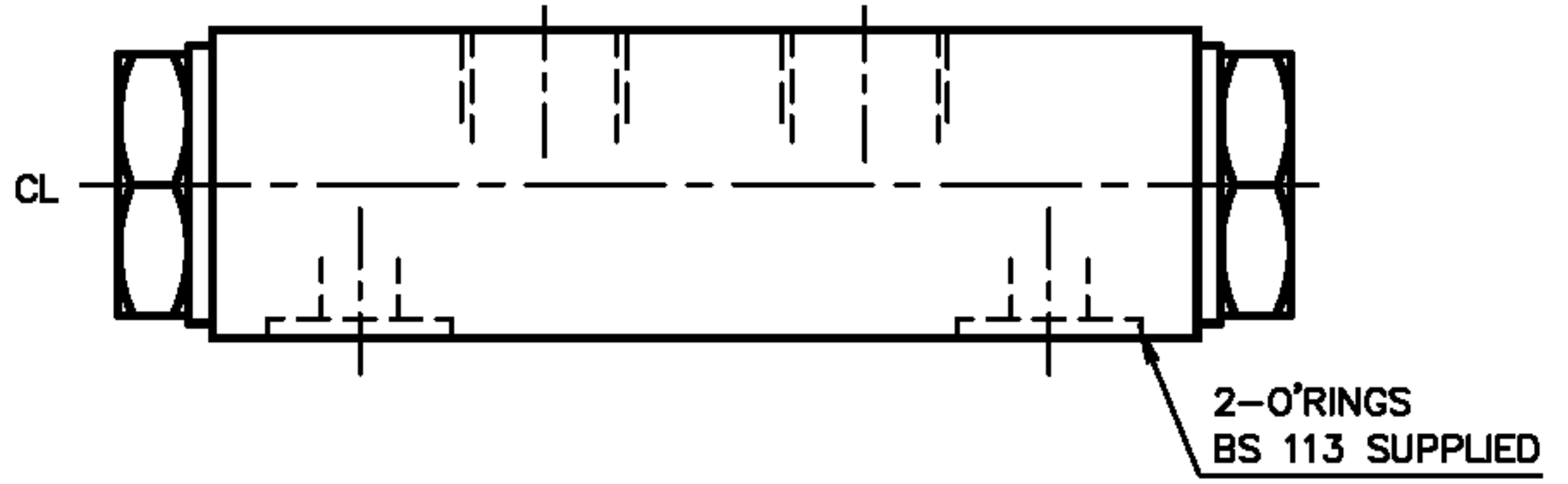
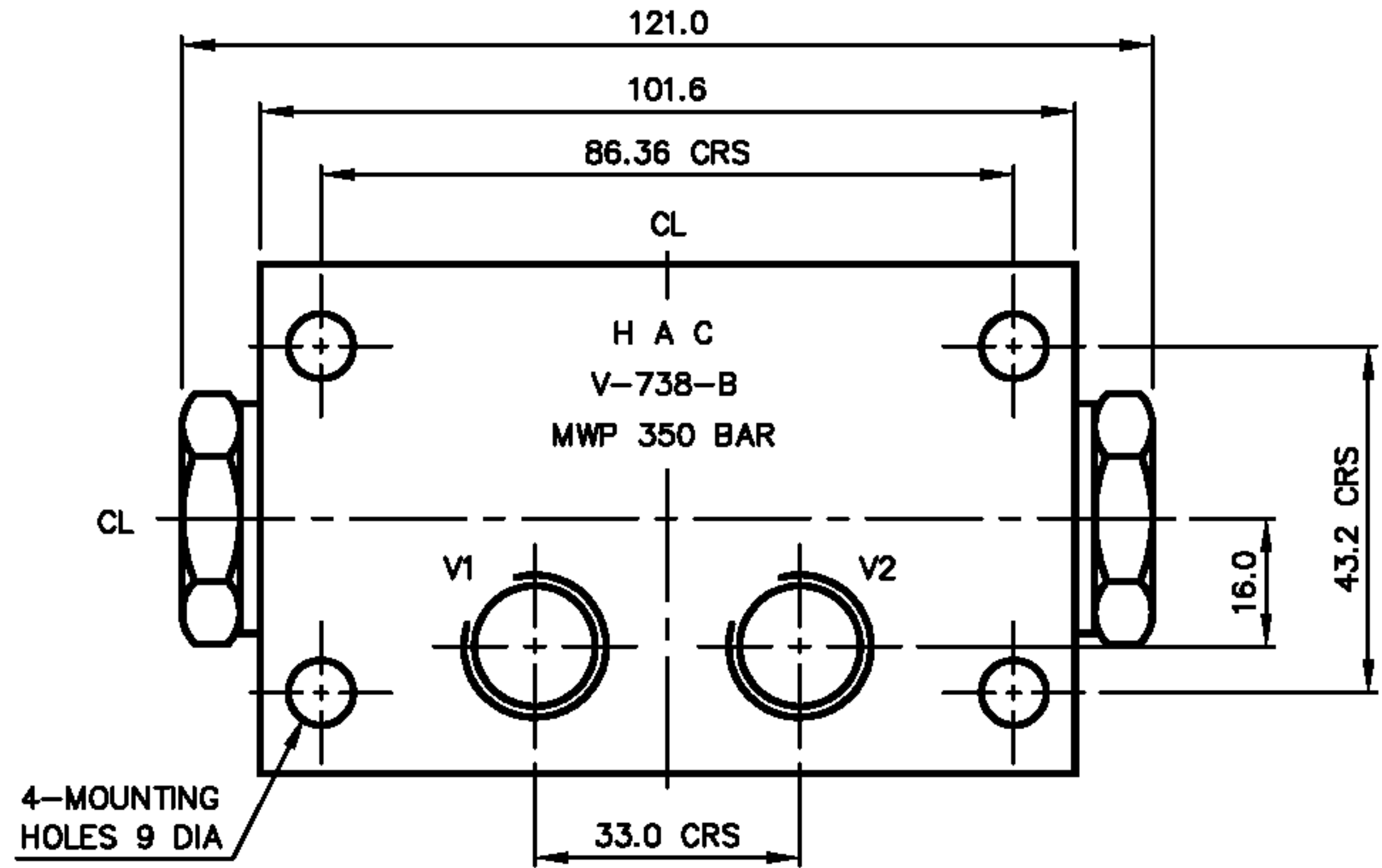


REMOVE ALL BURRS AND SHARP EDGES UNLESS STATED



<b>DUAL P.O CHECK VALVE PT MANIFOLD MOUNTED</b>
STANDARD 3:1 RATIO
EXAMPLE V-738-B
<b>MAX WORKING PRESSURE 350 BAR</b>

VALVE ORDERING INFORMATION	
TYPE	PORTS
V-738-B	3/8 BSP (PL)
ALL DIMENSIONS IN MM	



VALVE TYPE DUAL P.O.CHECK VALVE

DATE: 12/06/01  
 ASSY: 7250  
 SCALE: 1:1

TITLE INSTALLATION  
 V-738-B

DRG NO 7251  
 ISS A