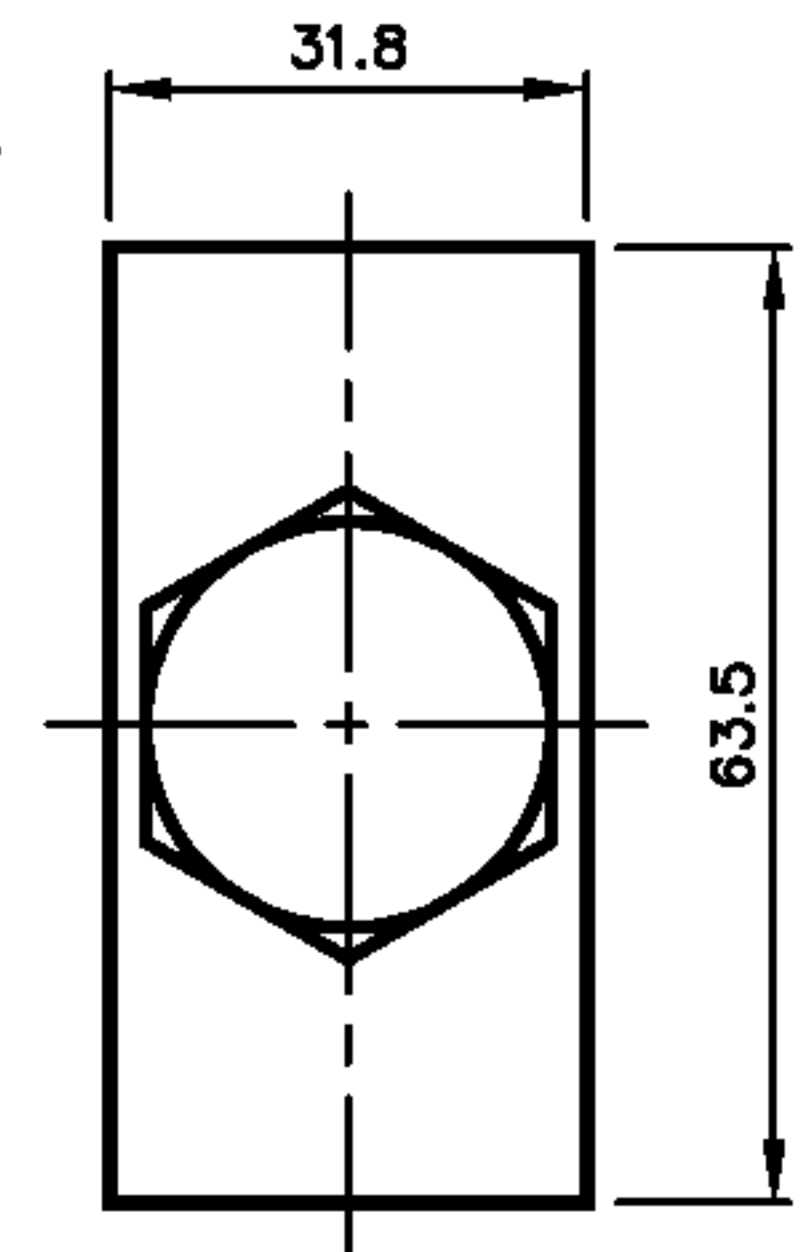
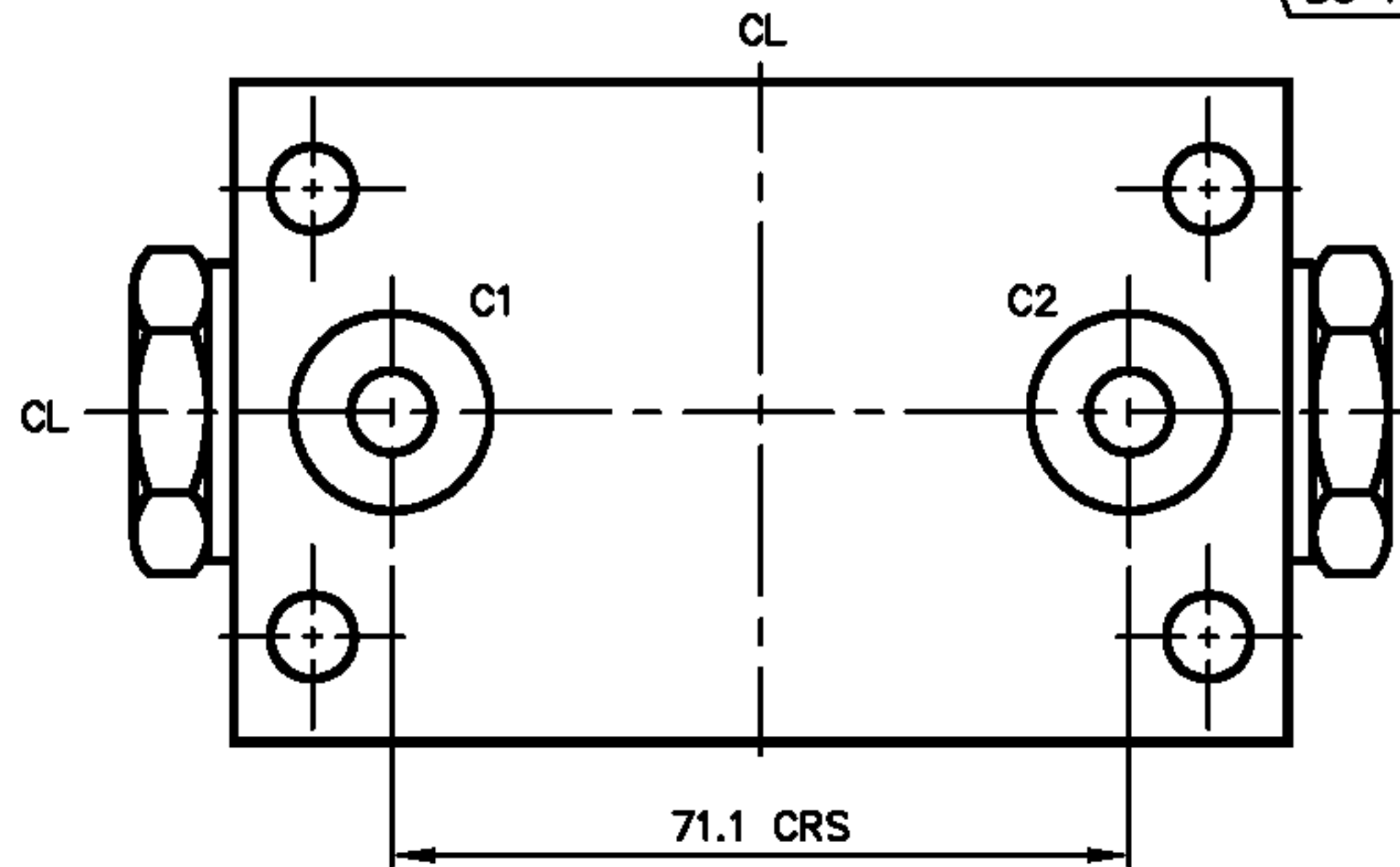
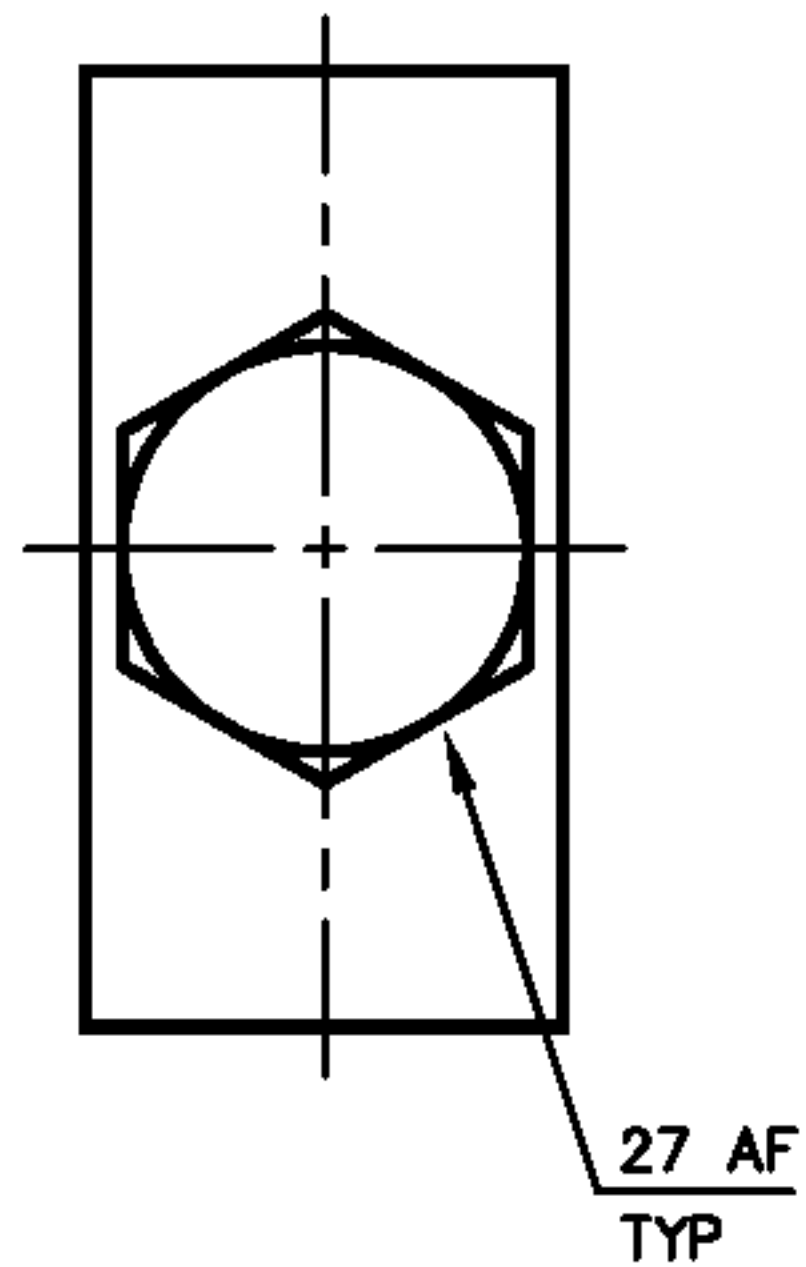
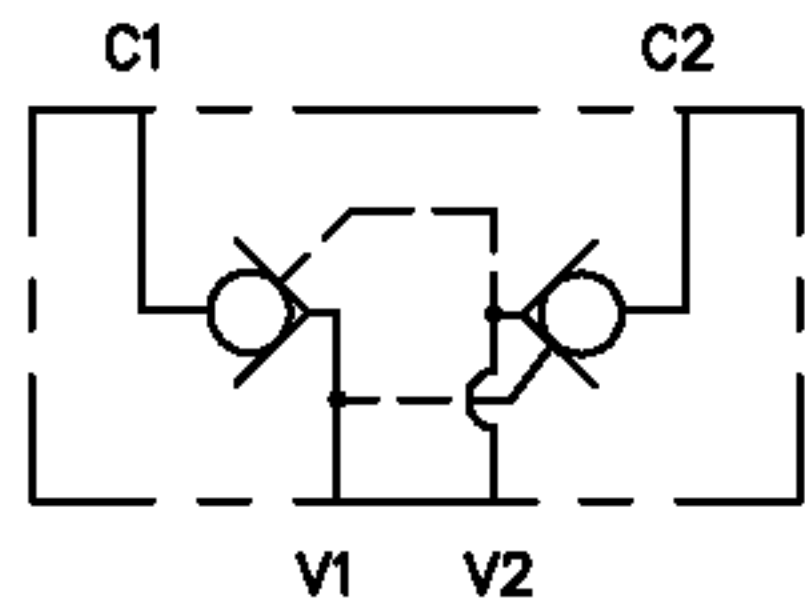
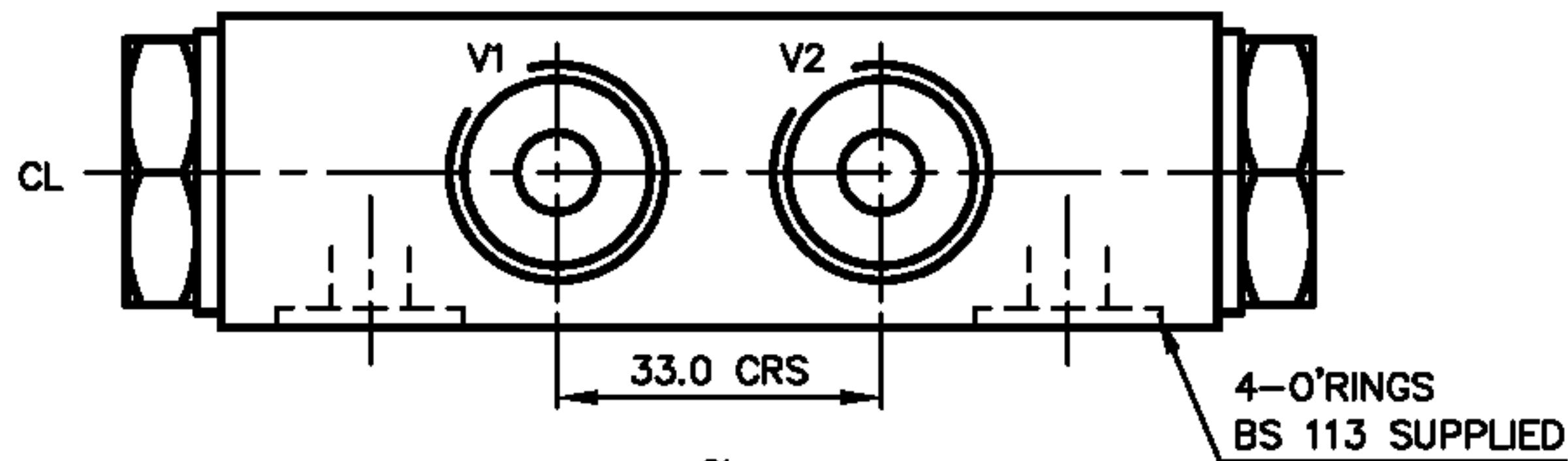
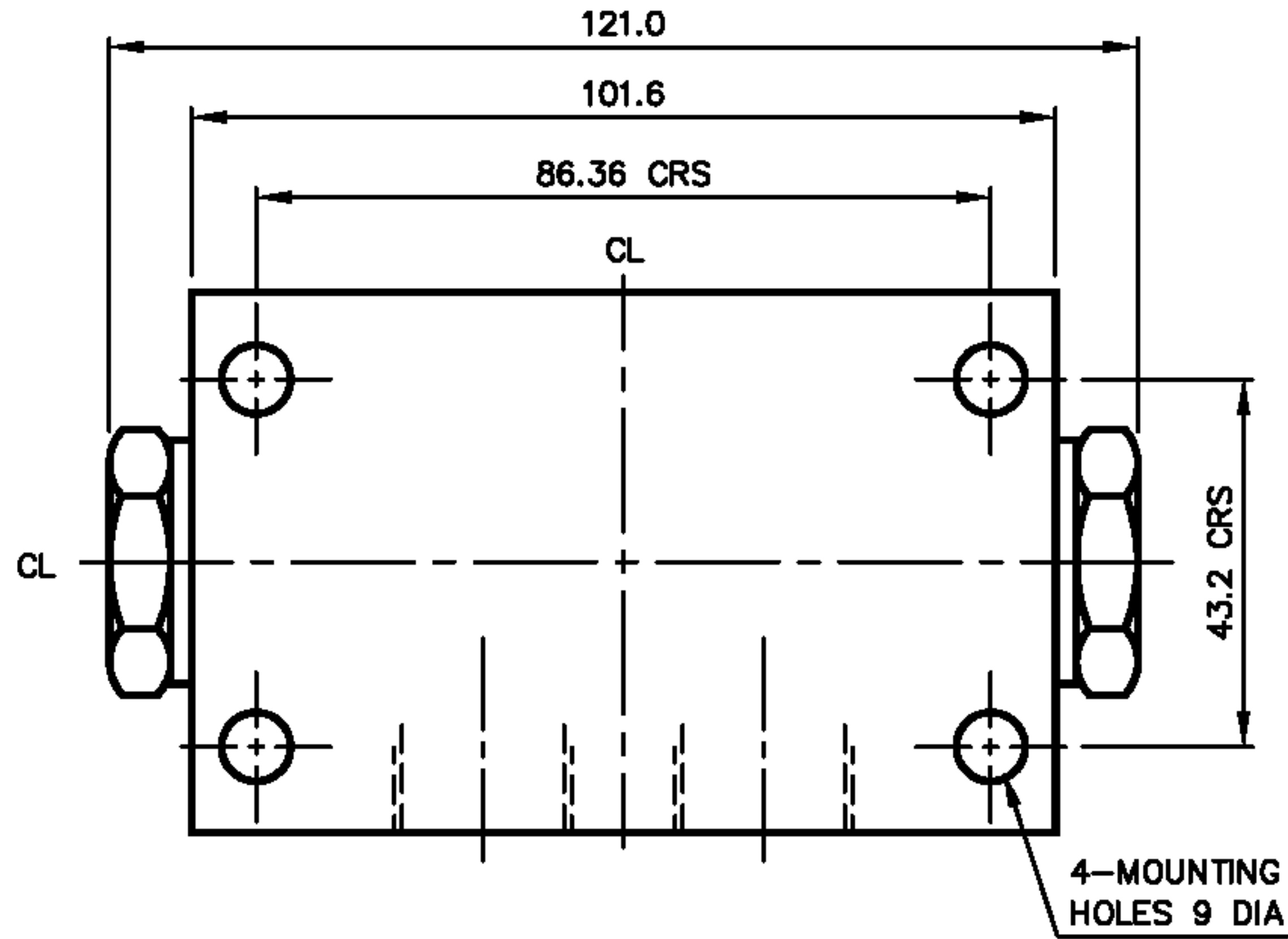


REMOVE ALL BURRS AND SHARP EDGES UNLESS STATED

DUAL P.O CHECK VALVE MANIFOLD MOUNTED
STANDARD 3:1 RATIO
EXAMPLE V-438
MAX WORKING PRESSURE 350 BAR

VALVE ORDERING INFORMATION	
TYPE	PORTS
V-438-A	1/4 BSP (PL)
V-438-B	3/8 BSP (PL)
V-438-C	1/2 BSP (PL)

ALL DIMENSIONS IN MM



VALVE TYPE DUAL P.O.CHECK VALVE

DATE: 12/06/01
ASSY: 5345
SCALE: 1:1

TITLE INSTALLATION
V-438

DRG NO 5346
ISS A