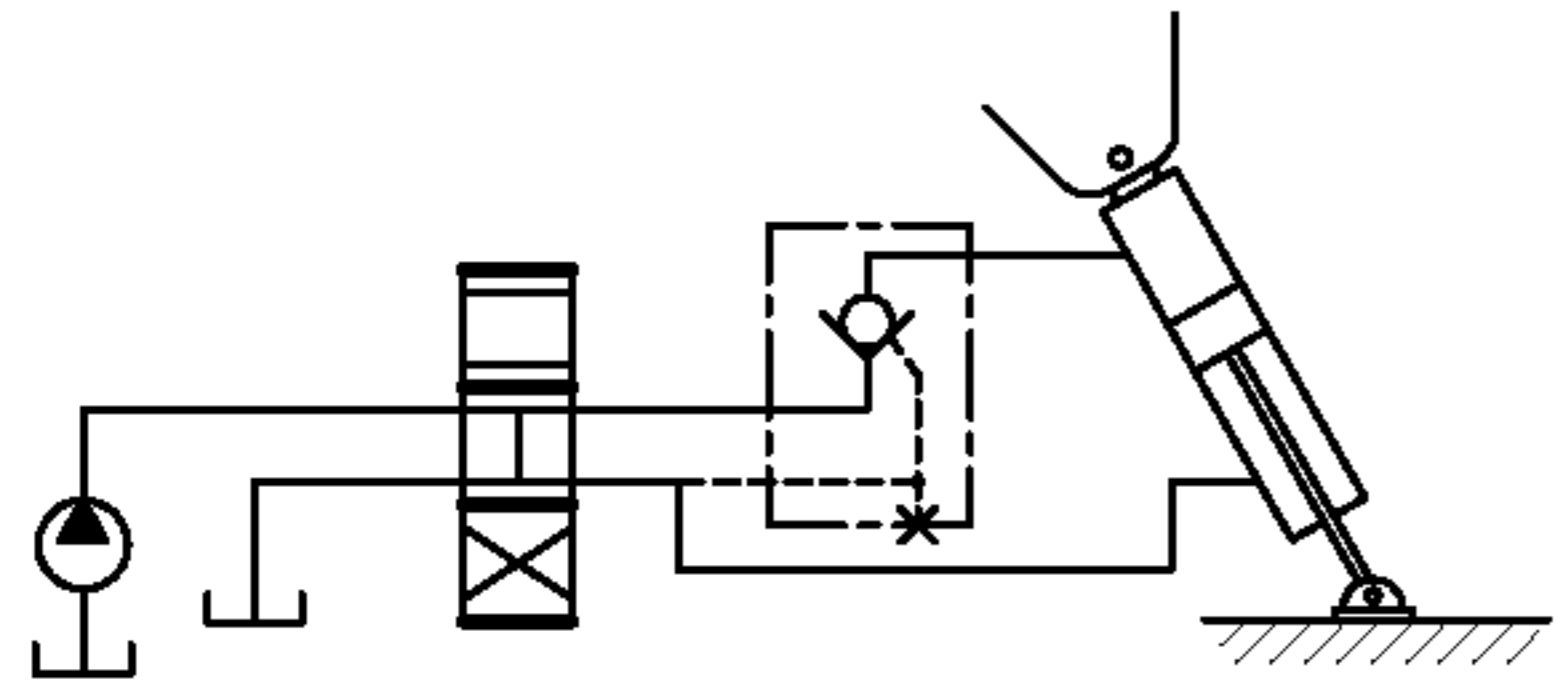
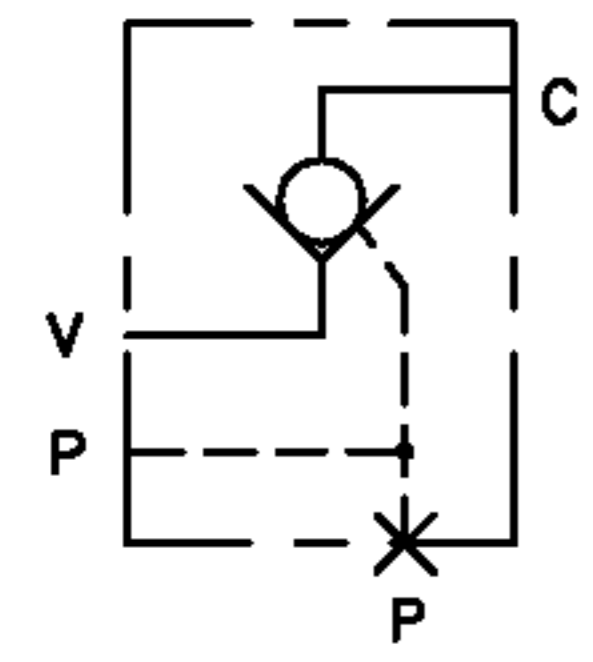


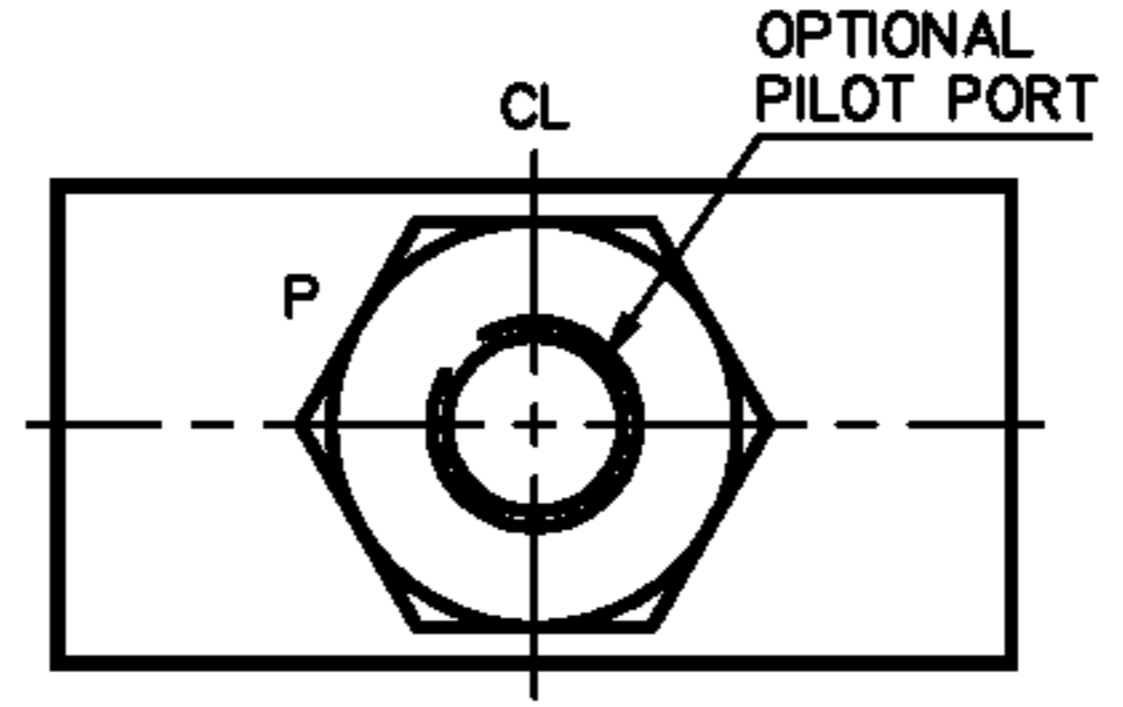
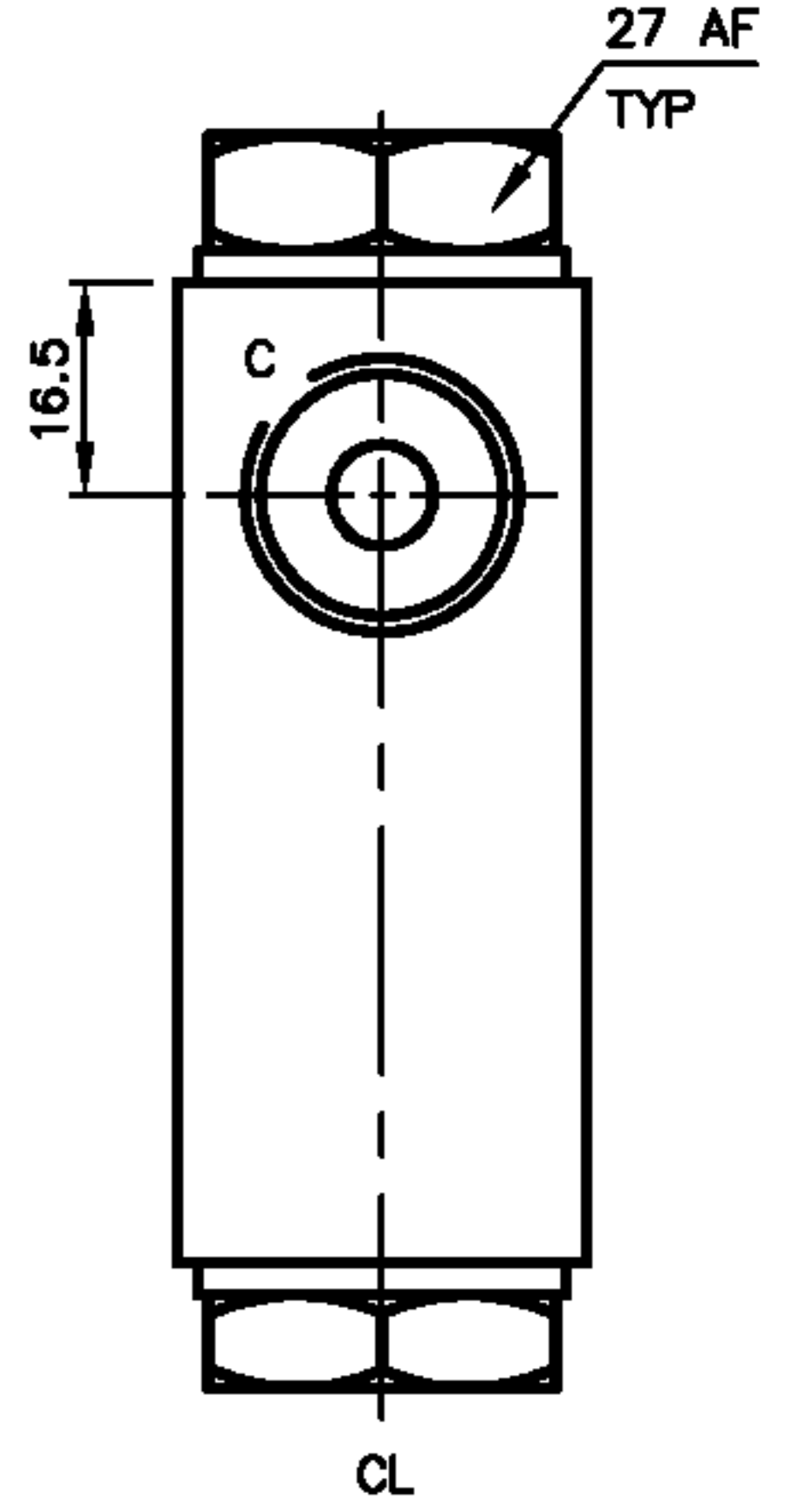
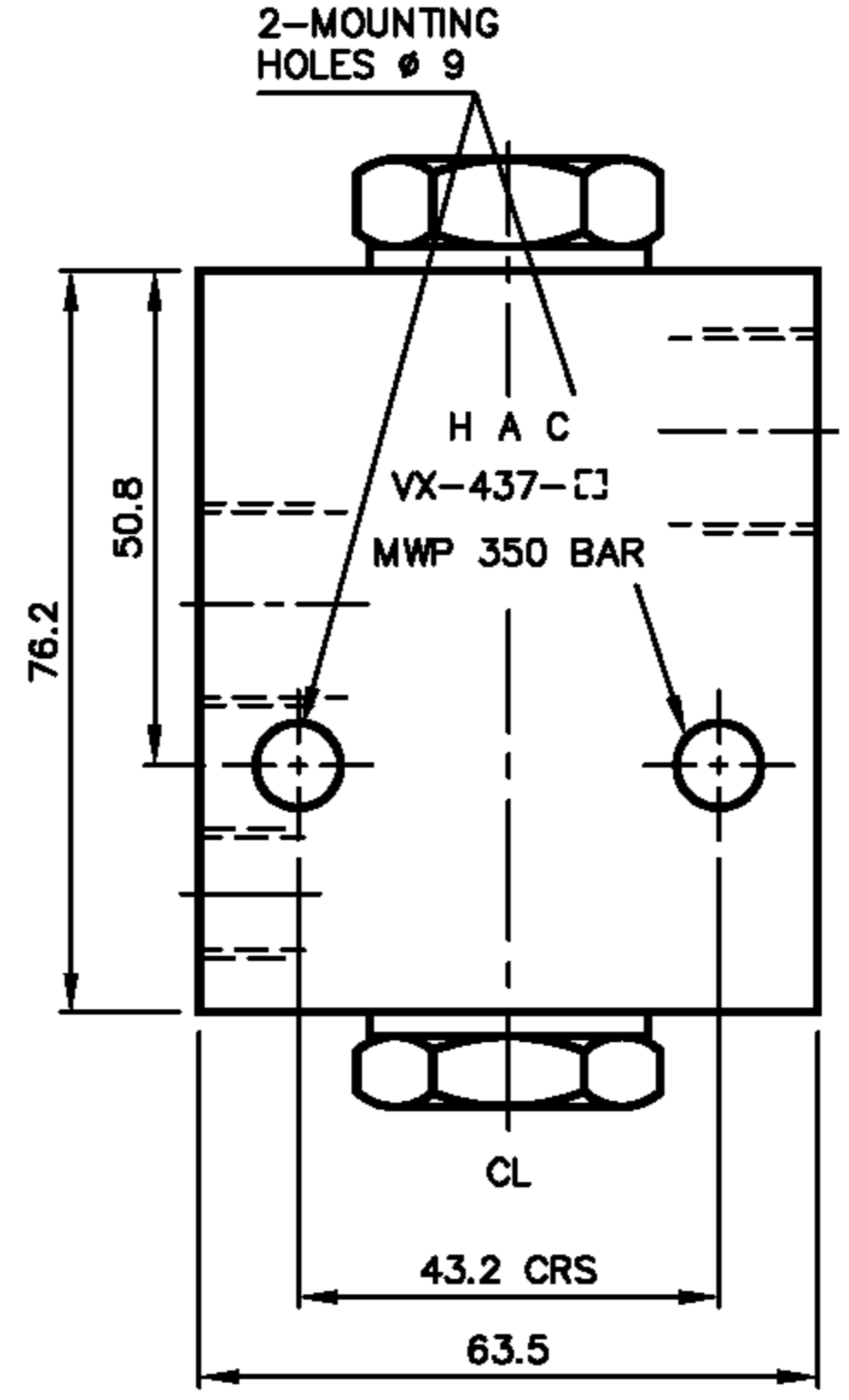
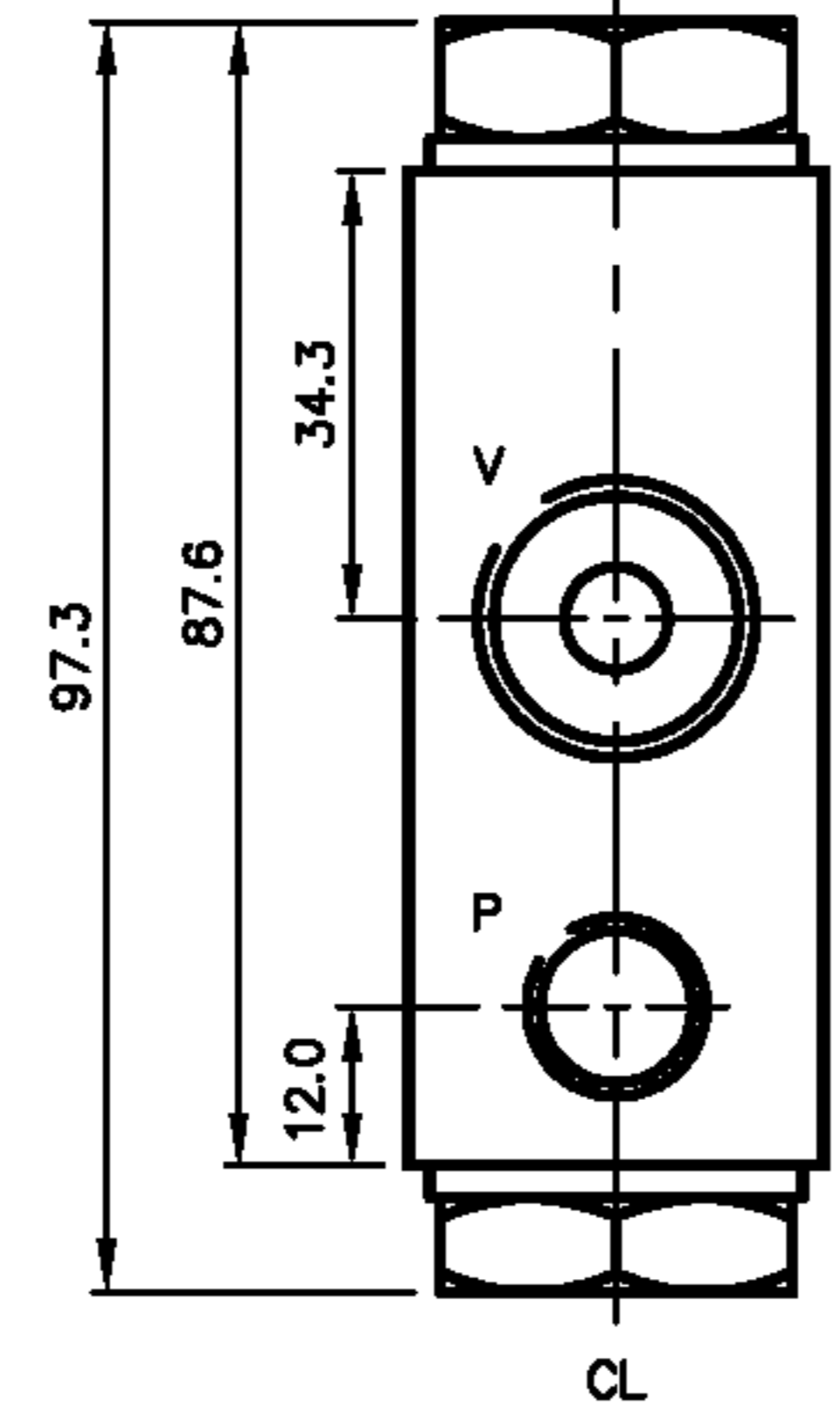
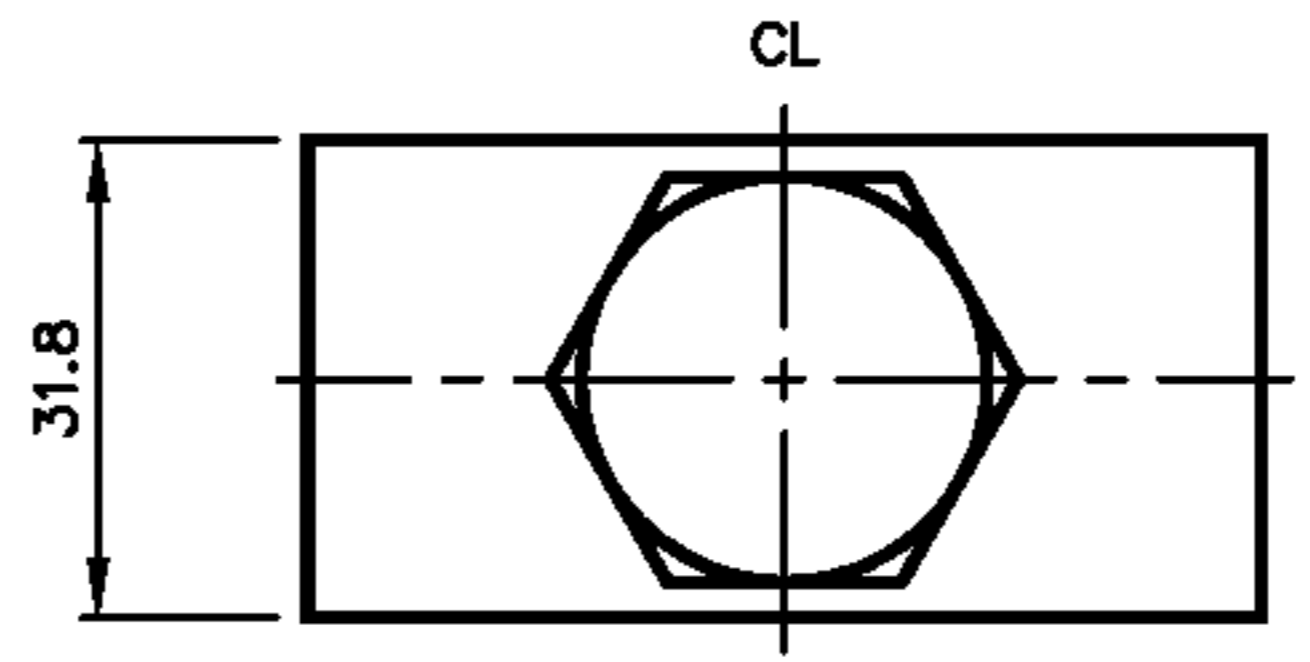
**SINGLE PILOT OPERATED CHECK VALVE**  
 STANDARD RATIO 12:1 EXAMPLE VX-437  
 ALSO AVAILABLE WITH 3:1 RATIO V-437  
 MAX WORKING PRESSURE 350 BAR

VALVE ORDERING INFORMATION		
TYPE	PORTS	PILOT PORT P
VX-437-A	1/4 BSP (PL)	1/4 BSP (PL)
VX-437-B	3/8 BSP (PL)	1/4 BSP (PL)
VX-437-C	1/2 BSP (PL)	1/4 BSP (PL)

ALL DIMENSIONS IN MM



TYPICAL OUTRIGGER JACK CIRCUITRY HYDRAULIC CRANE, LOW LOADER OR ACCESS PLATFORM.



VALVE TYPE SINGLE P.O.CHECK VALVE

DATE: 12/07/01  
 ASSY: 5015  
 SCALE: 1:1

TITLE INSTALLATION  
 VX-437

DRG NO 5016  
 ISS A