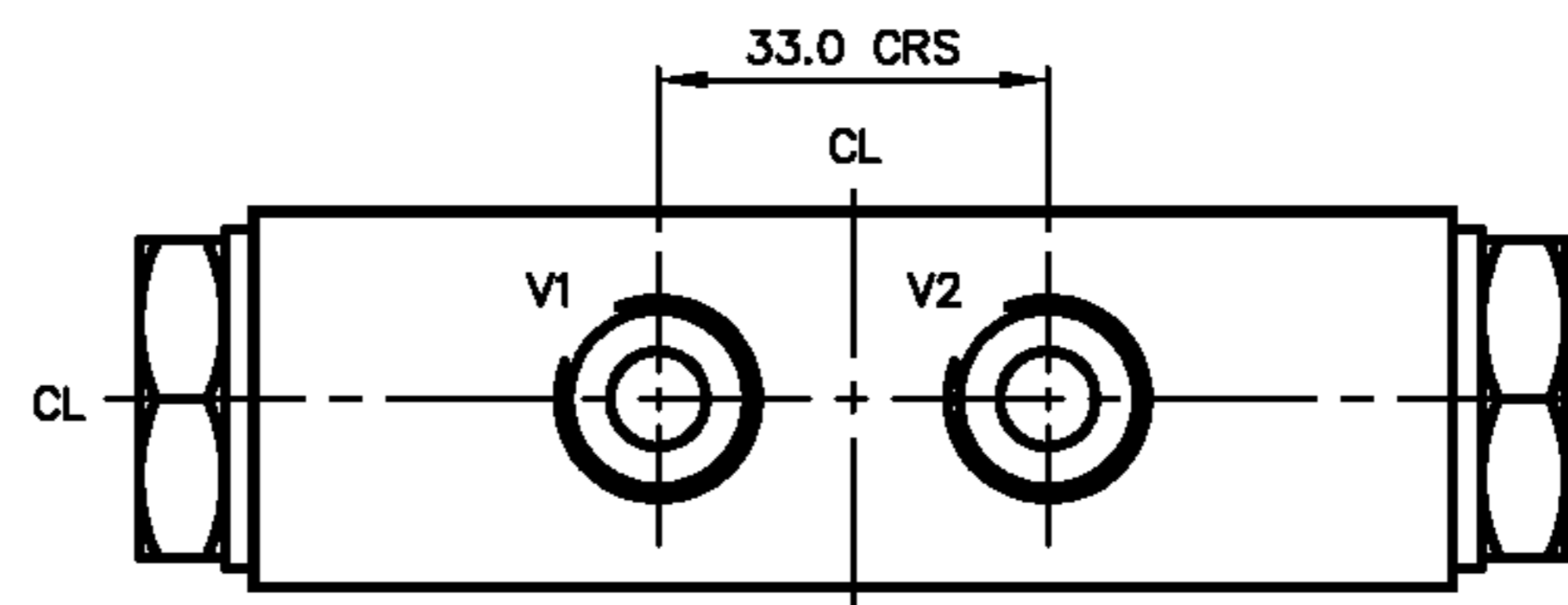
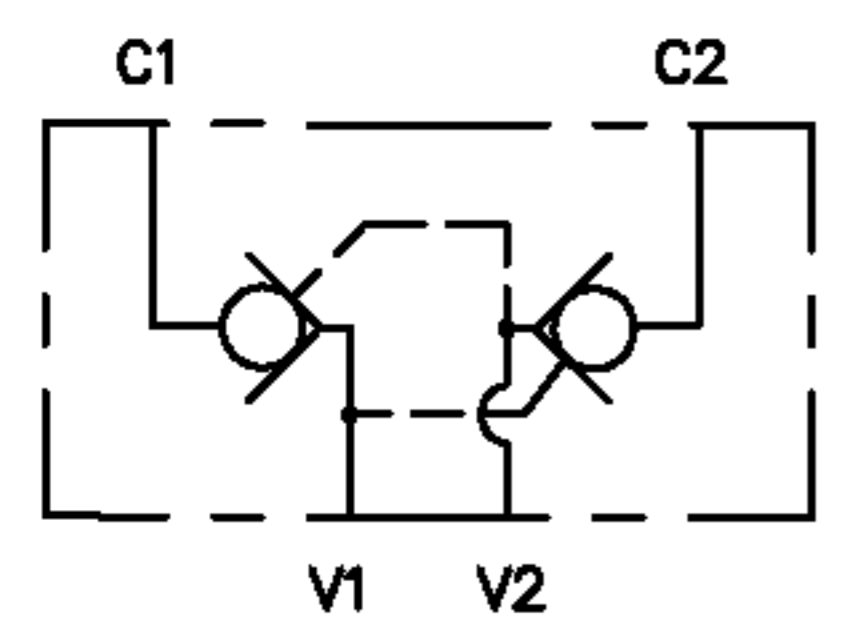
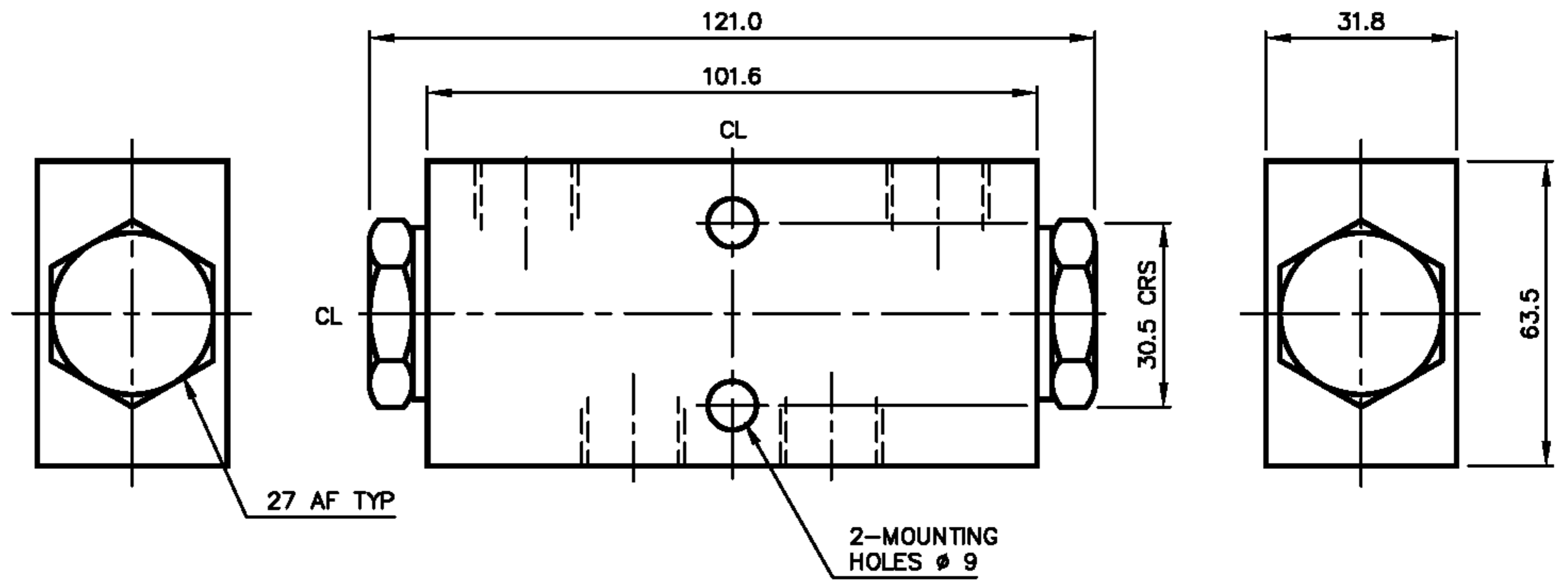
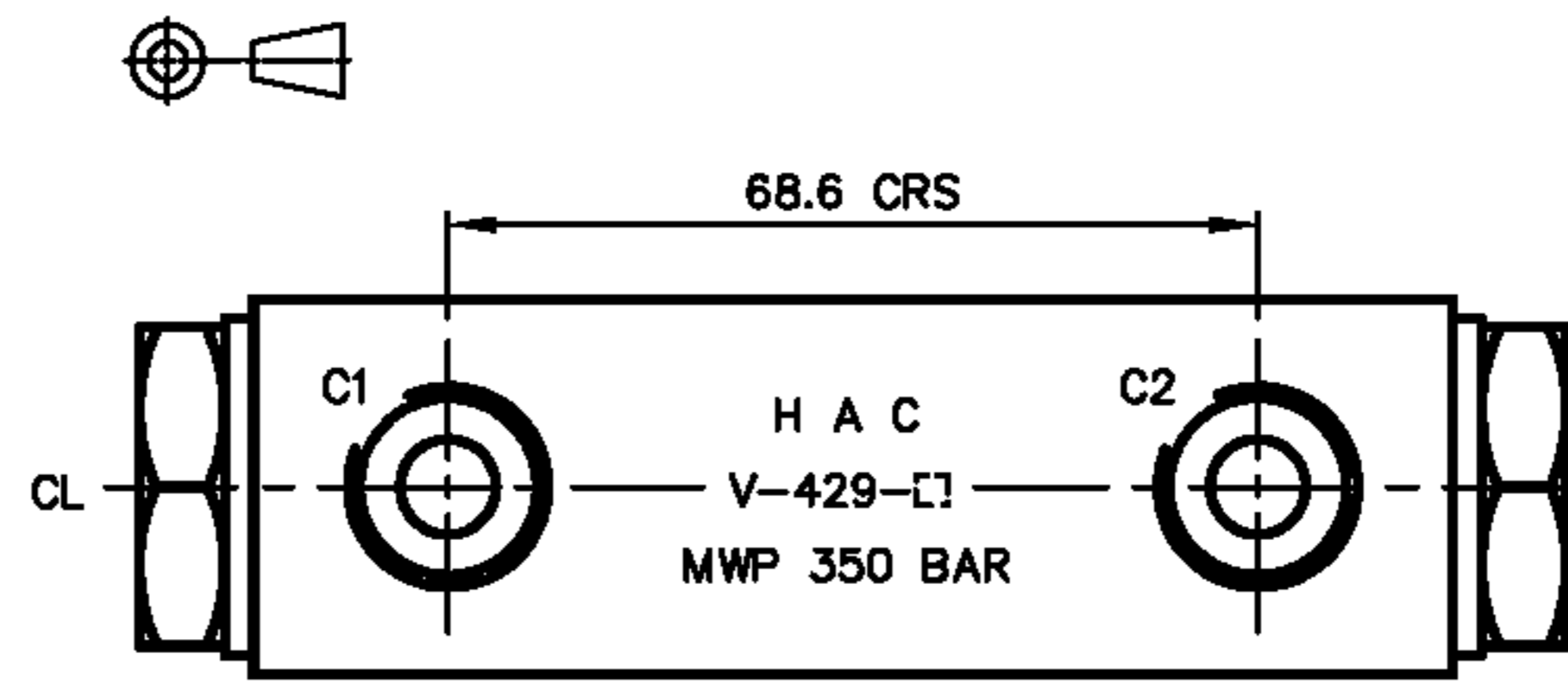


DUAL P.O CHECK VALVE
STANDARD 3:1 RATIO
EXAMPLE V-429
ALSO AVAILABLE WITH 12:1 RATIO
EXAMPLE VX-429
MAX WORKING PRESSURE 350 BAR

VALVE ORDERING INFORMATION	
TYPE	PORTS
V-429-A	1/4 BSP (PL)
V-429-B	3/8 BSP (PL)
ALL DIMENSIONS IN MM	



VALVE TYPE DUAL P.O.CHECK VALVE

DATE: 12/07/01
 ASSY: 6185
 SCALE: 1:1

TITLE INSTALLATION
 V-429

DRG NO 6186
 ISS A