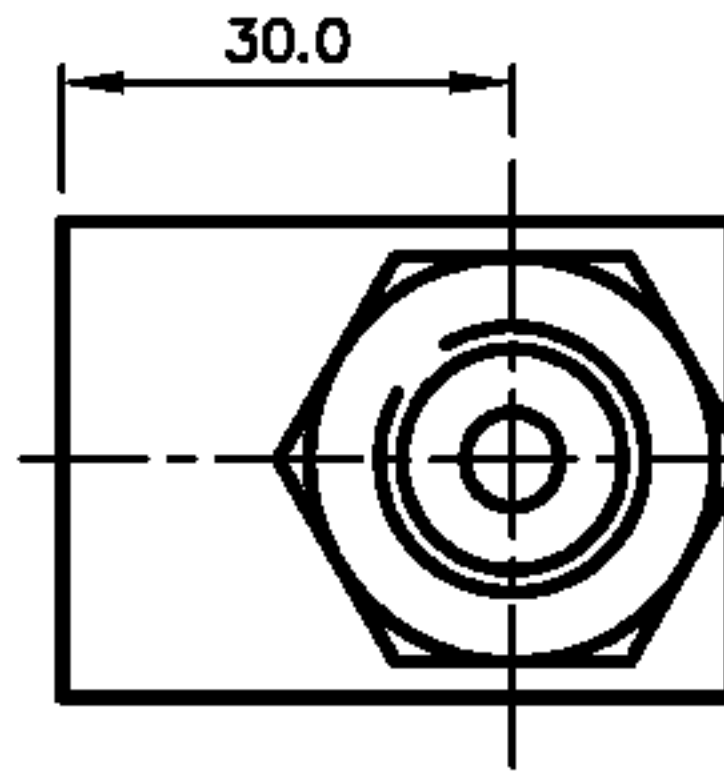
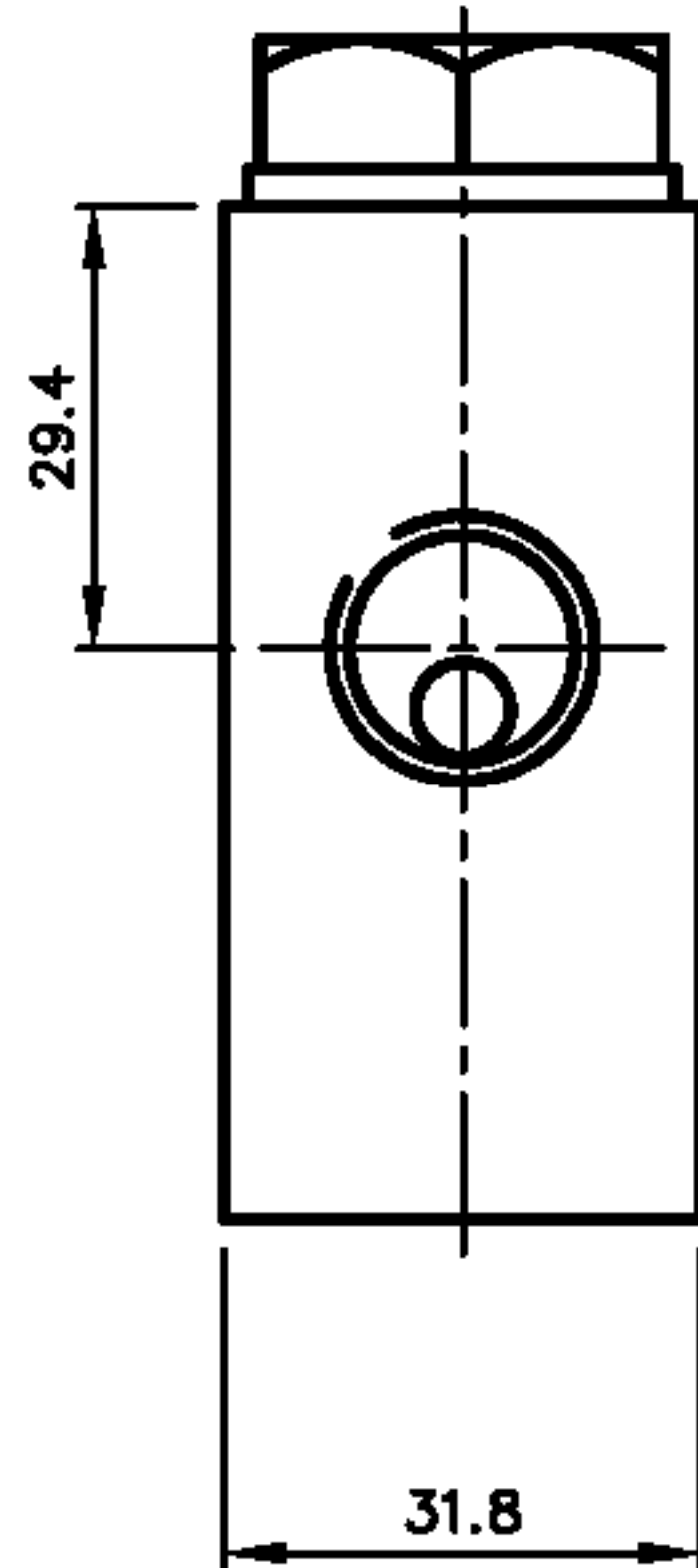
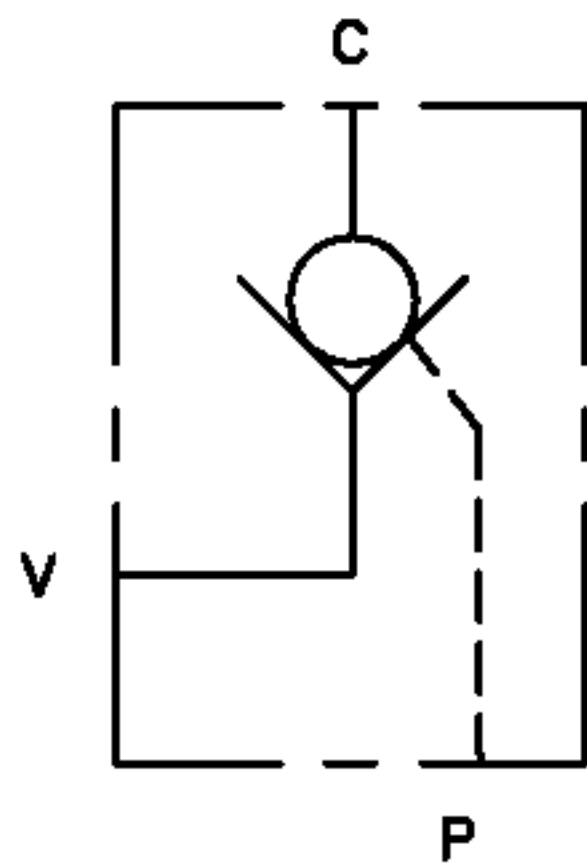
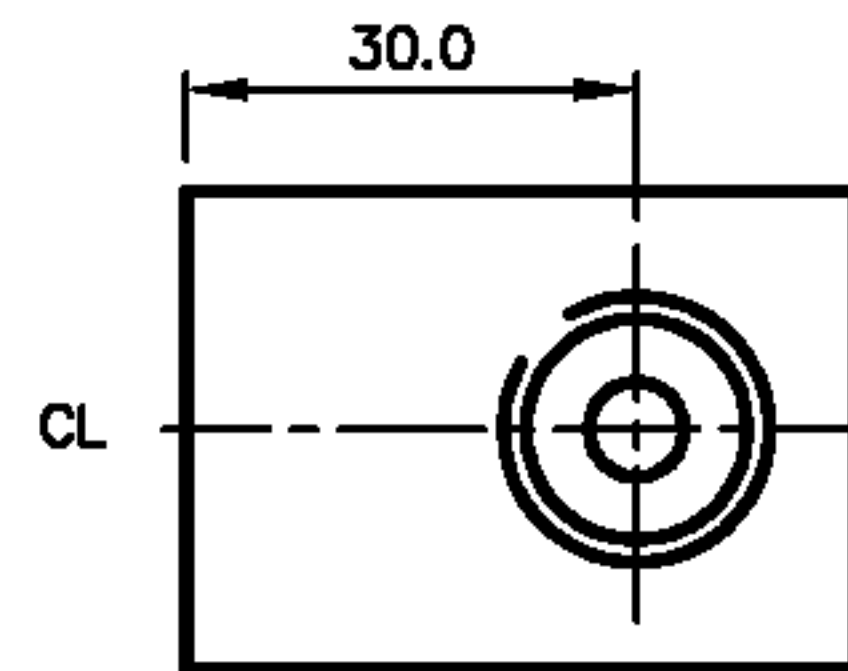
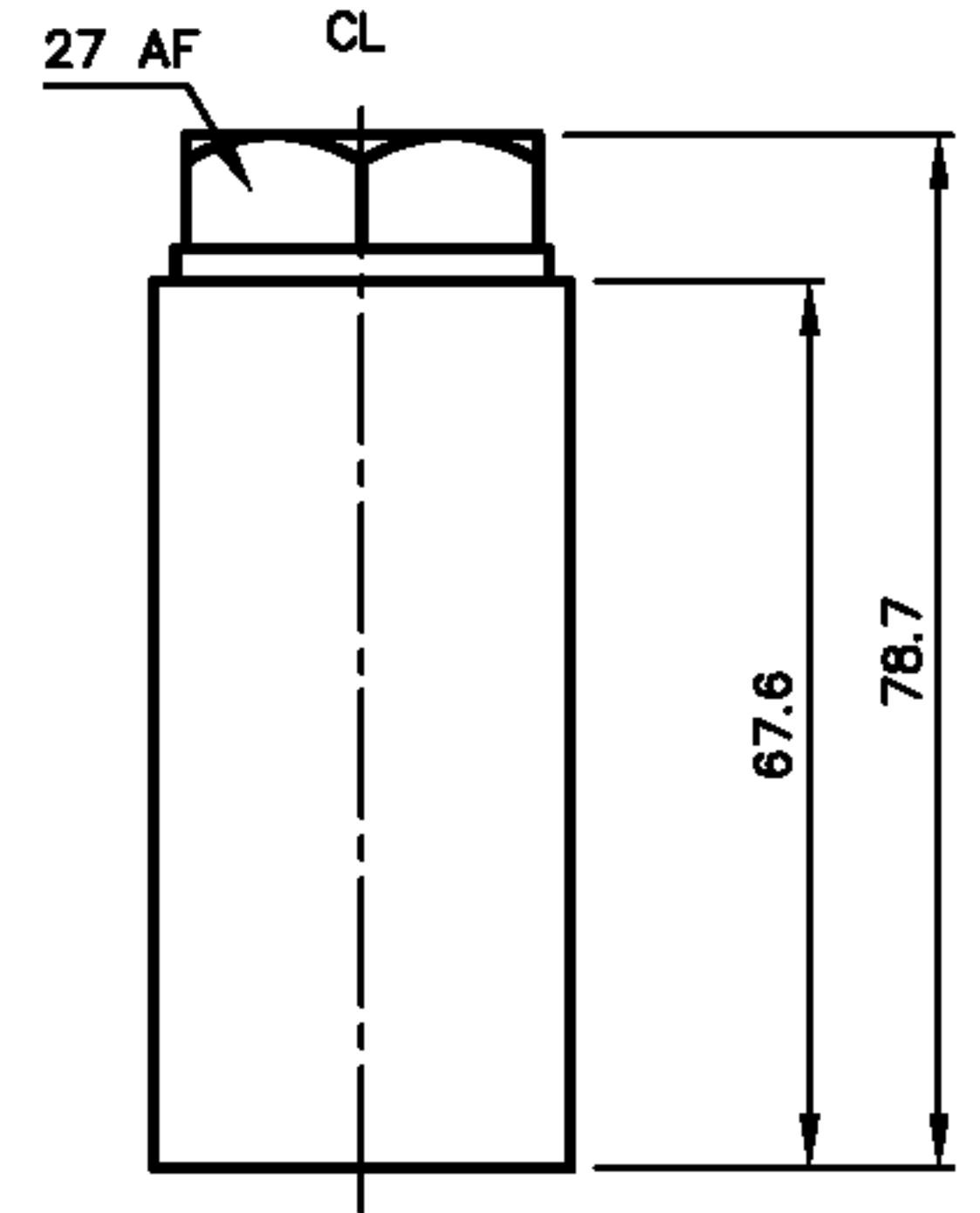
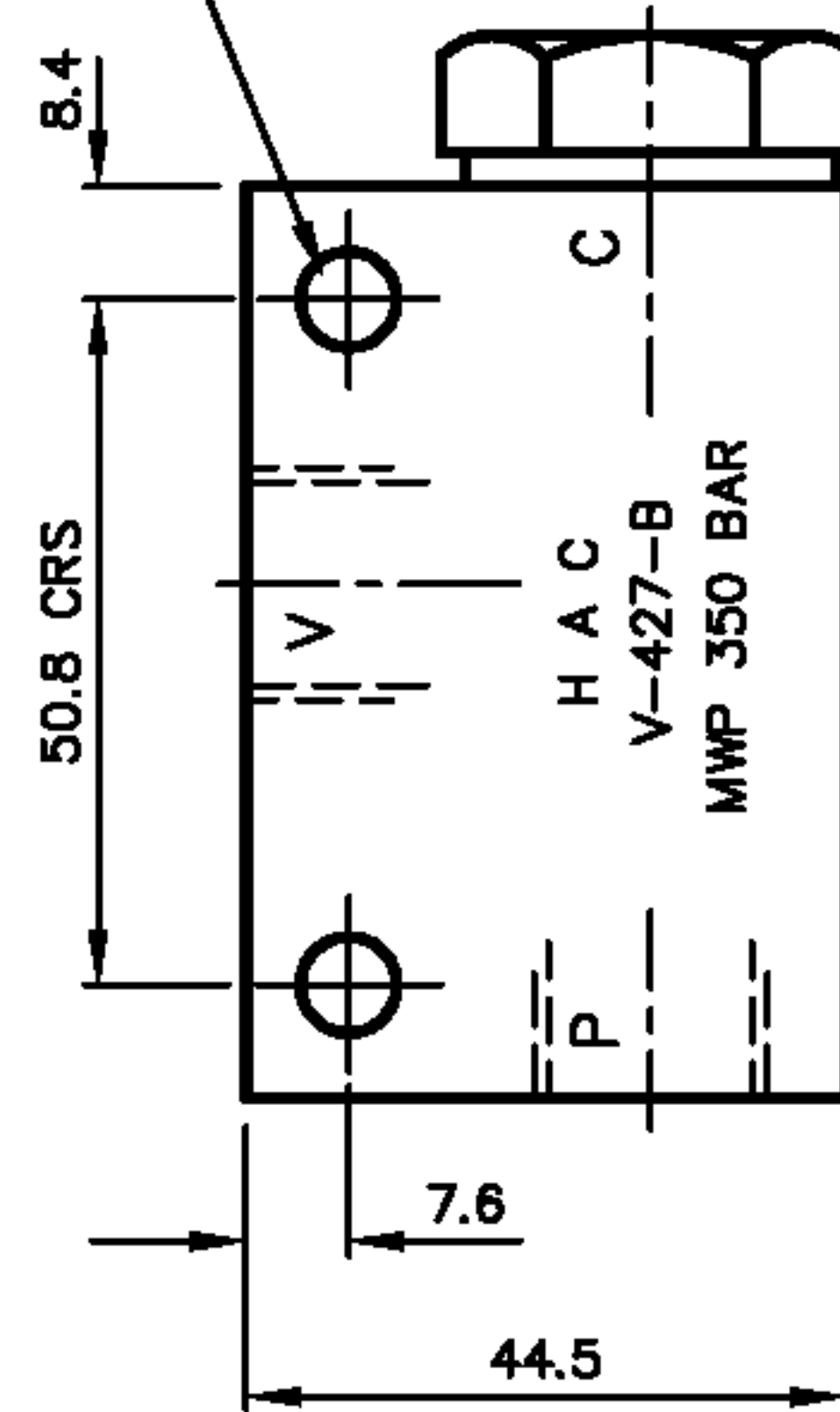


SINGLE P.O.CHECK VALVE	
STANDARD 3.5:1 RATIO	
EXAMPLE V-427-B	
MAX WORKING PRESSURE 350 BAR	

VALVE ORDERING INFORMATION	
TYPE	PORTS & BANJO BOLT
V-427-B	3/8 BSP (PL)
ALL DIMENSIONS IN MM	



2-MOUNTING HOLES  $\phi$  7



VALVE TYPE SINGLE P.O.CHECK VALVE

DATE: 12/03/00  
 ASSY: 7535  
 SCALE: 1:1

TITLE INSTALLATION  
 V-427-B

DRG NO 7536  
 ISS A