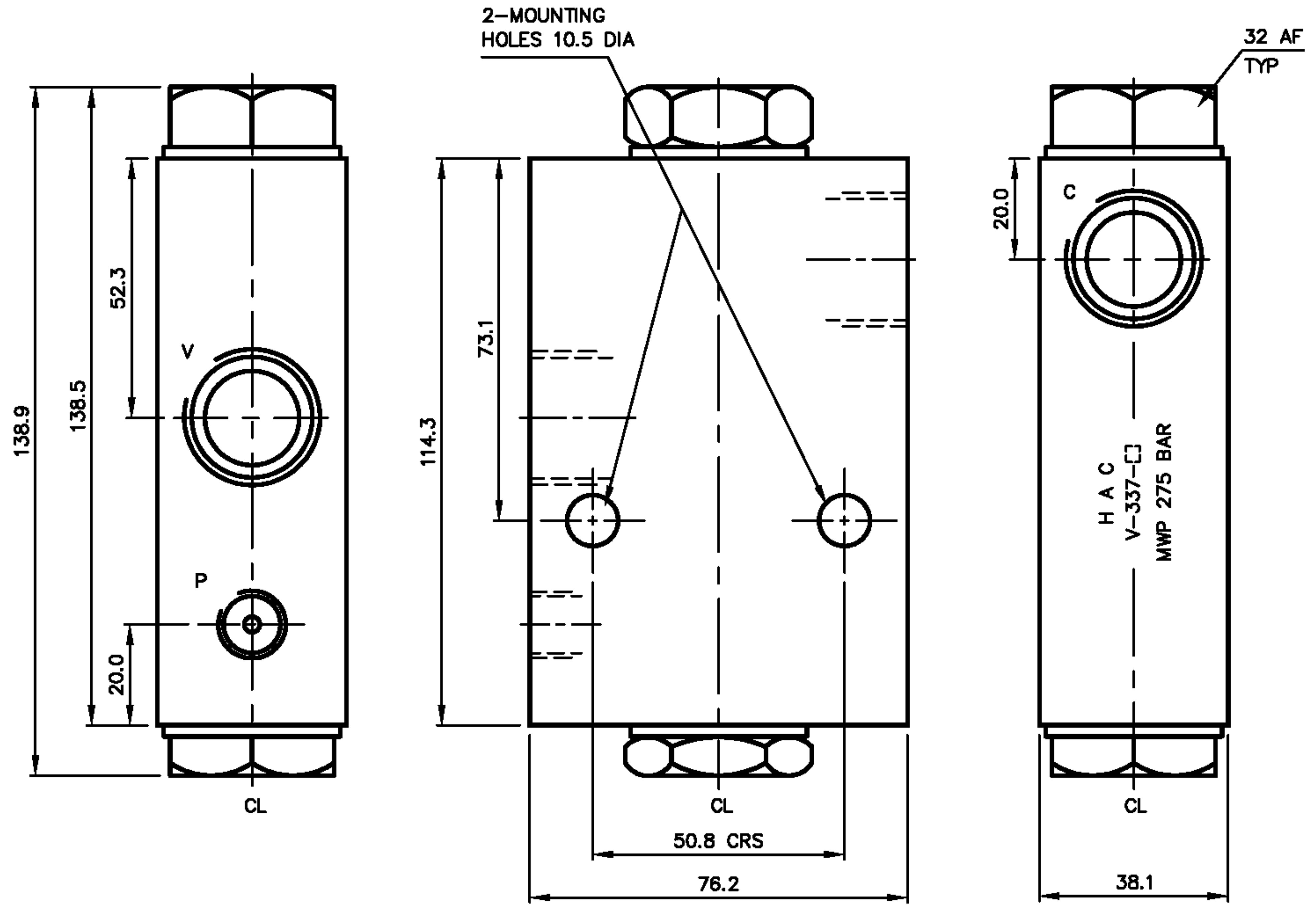
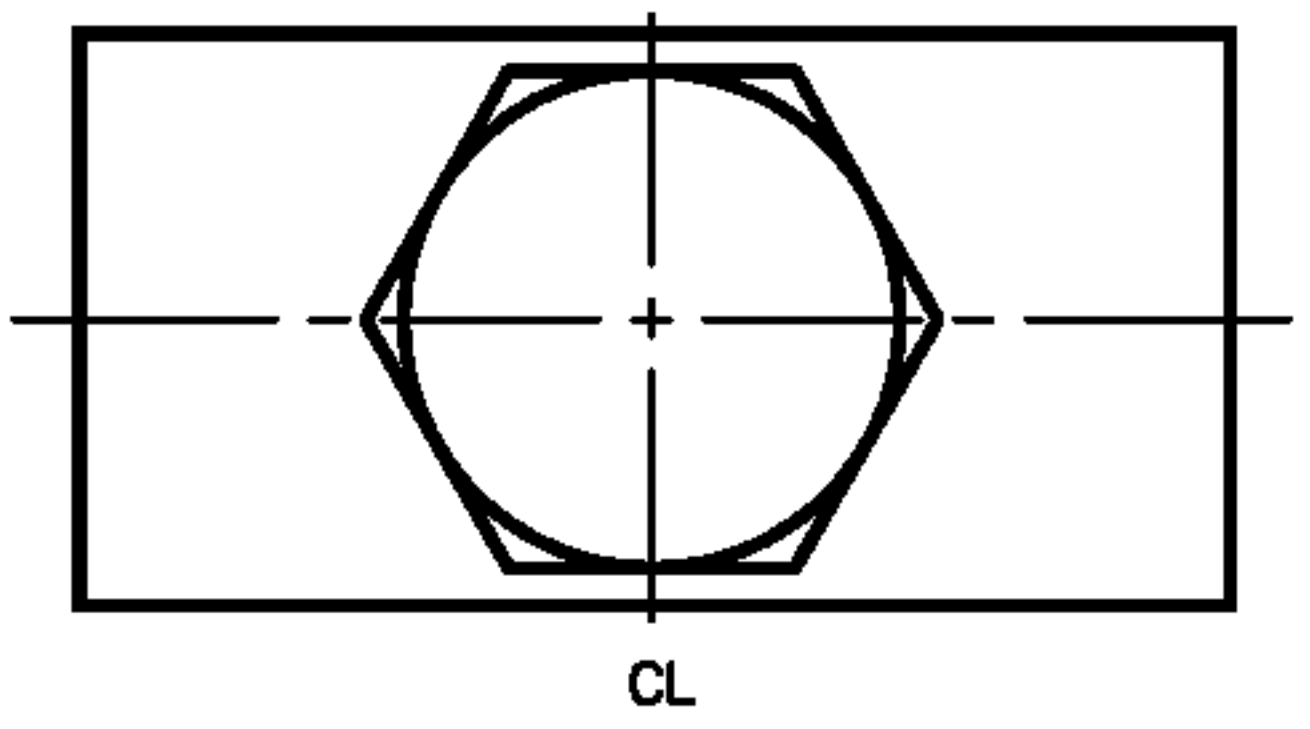
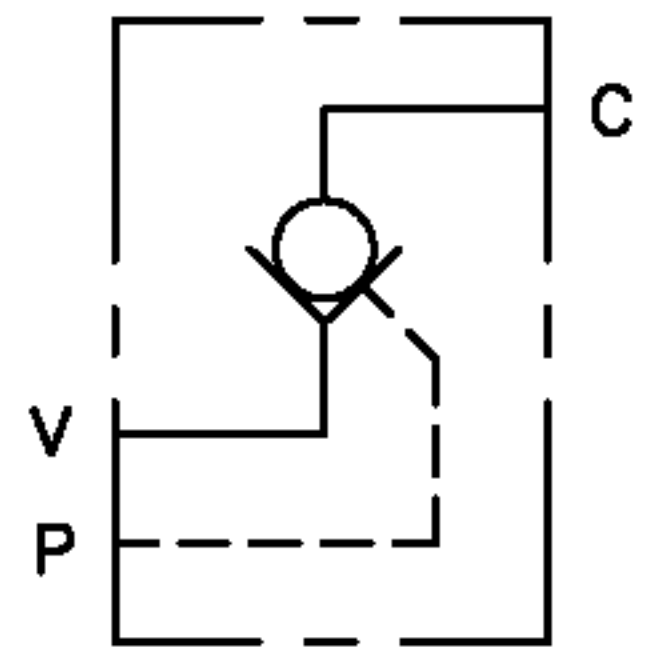




SINGLE PILOT OPERATED CHECK VALVE
STANDARD RATIO 4:1
MAX WORKING PRESSURE 275 BAR

VALVE ORDERING INFORMATION		
TYPE	PORTS	PILOT PORT P
V-337-C	1/2 BSP (PL)	1/4 BSP (PL)
V-337-D	3/4 BSP (PL)	1/4 BSP (PL)

ALL DIMENSIONS IN MM



VALVE TYPE

SINGLE P.O.CHECK VALVE

DATE: 19/02/03
ASSY: 6150
SCALE: 1:1

TITLE INSTALLATION
V-337

DRG NO
6151

ISS
A