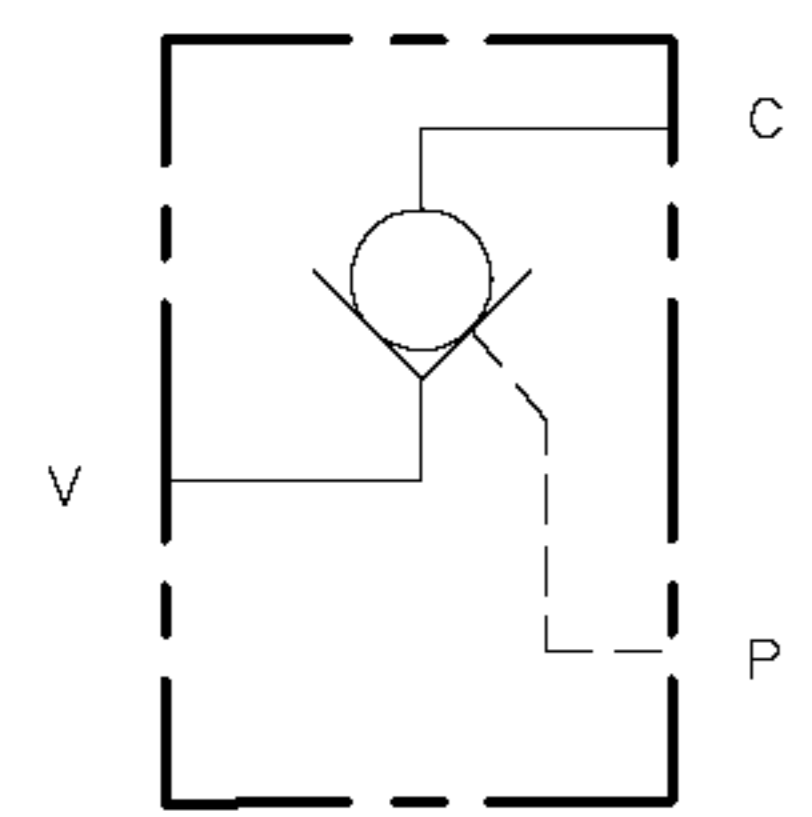
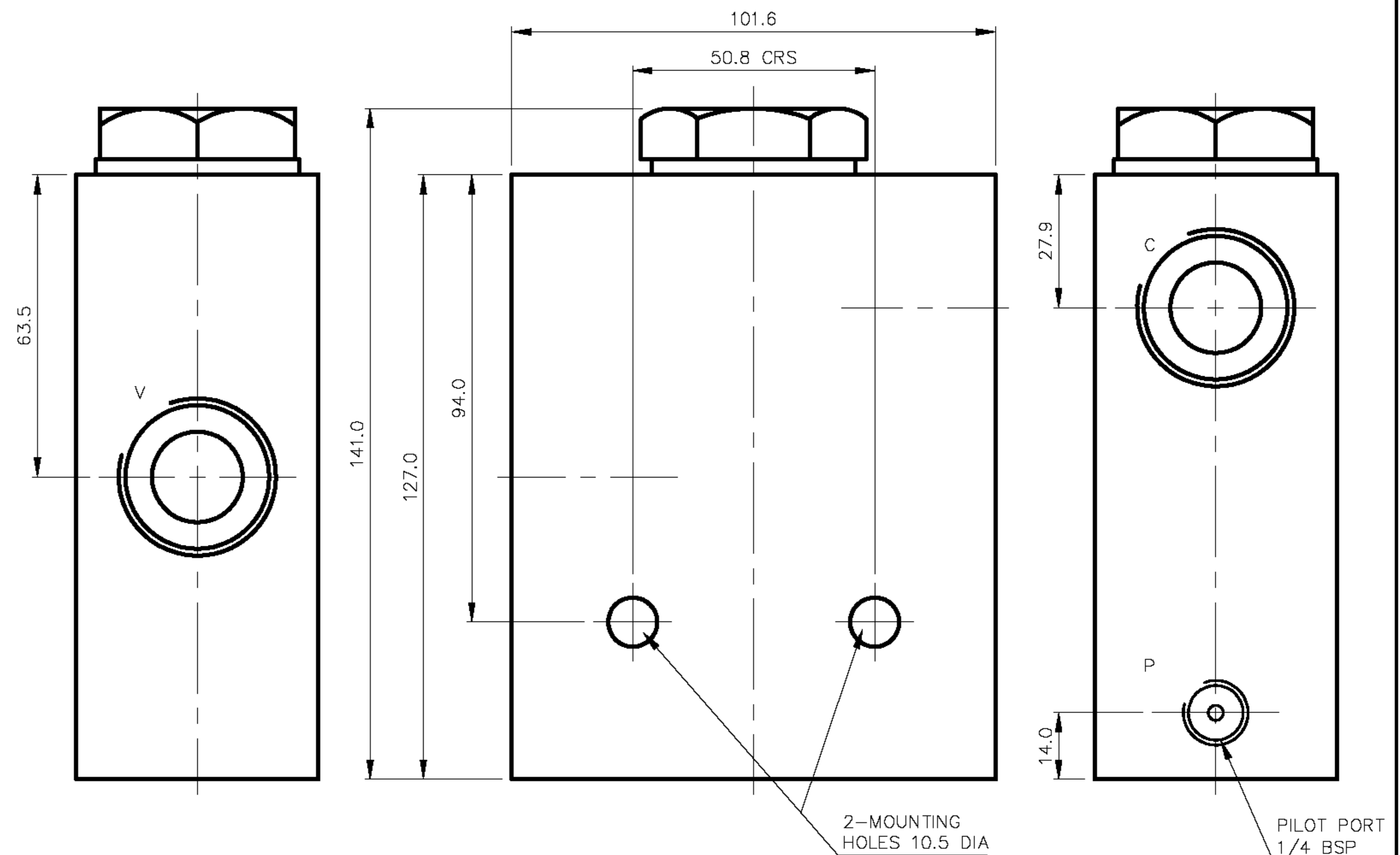
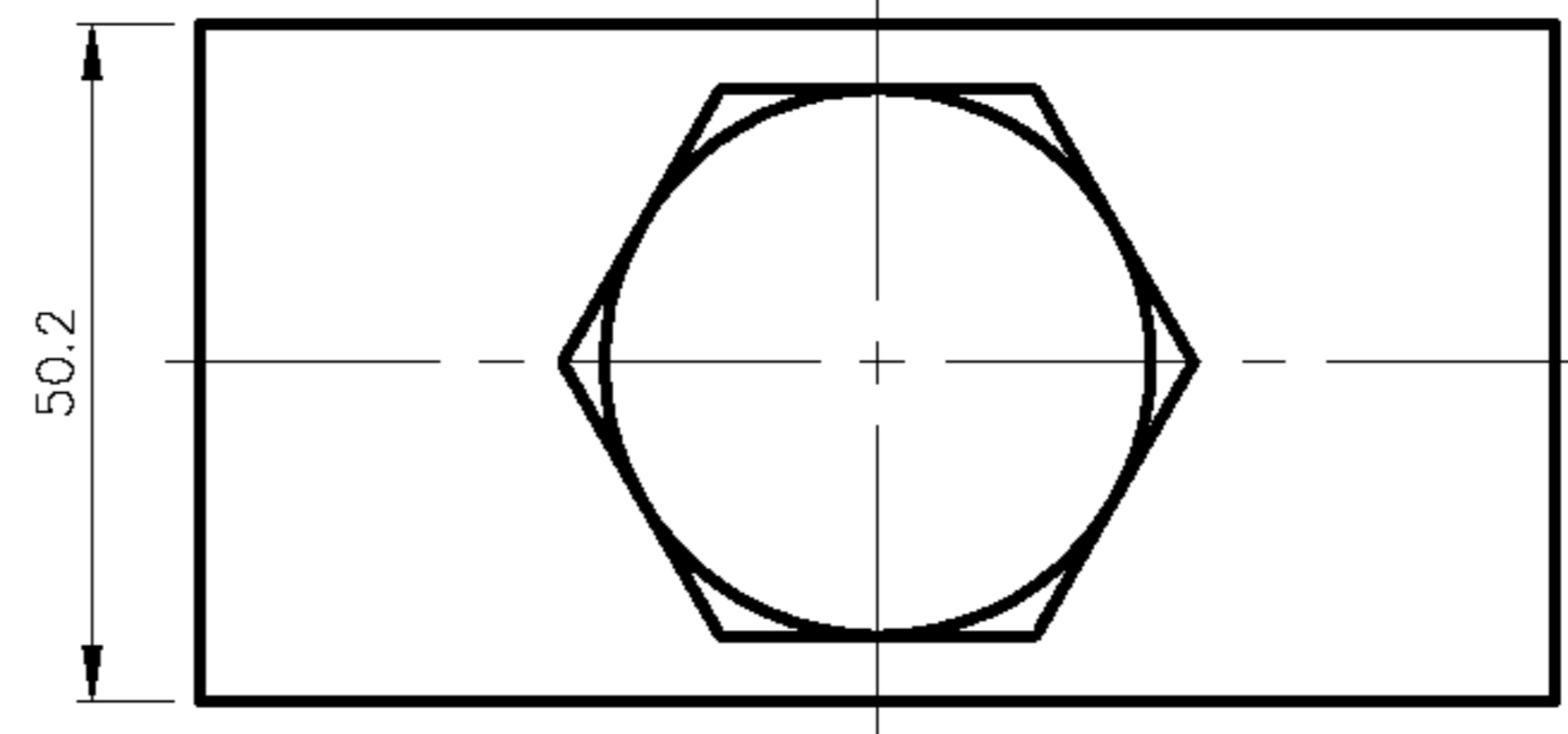
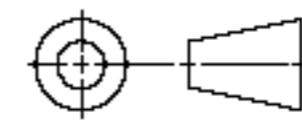


SINGLE P.O CHECK VALVE
3:1 RATIO
MAX WORKING PRESSURE 250 BAR

VALVE ORDERING INFORMATION	
TYPE	PORTS
V-137-E	1.00 BSP (PL)
ALL DIMENSIONS IN MM	



2-MOUNTING HOLES 10.5 DIA

PILOT PORT 1/4 BSP



VALVE TYPE SINGLE P.O.CHECK VALVE

DATE: 02/10/01
 ASSY: 9355
 SCALE: 1:1

TITLE INSTALLATION
 V-137-E

DRG NO 9356

ISS A