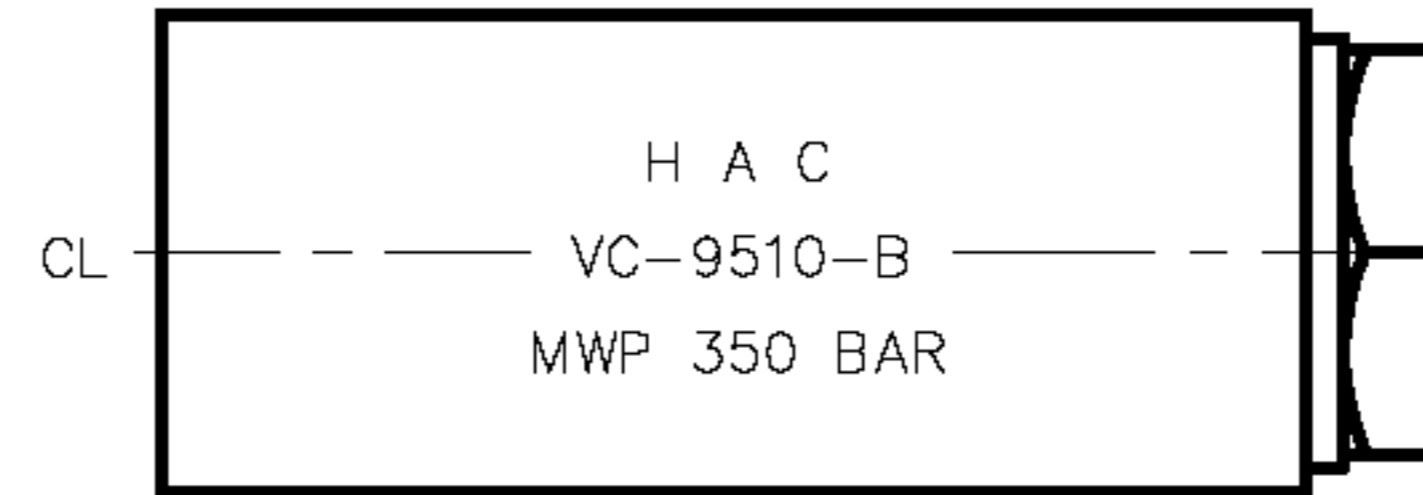
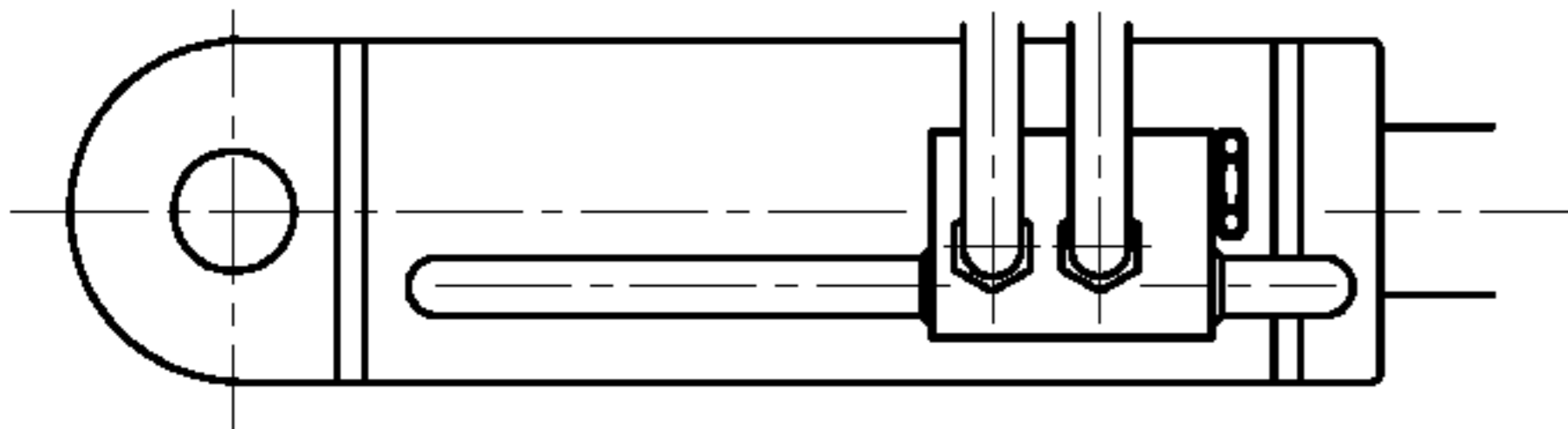
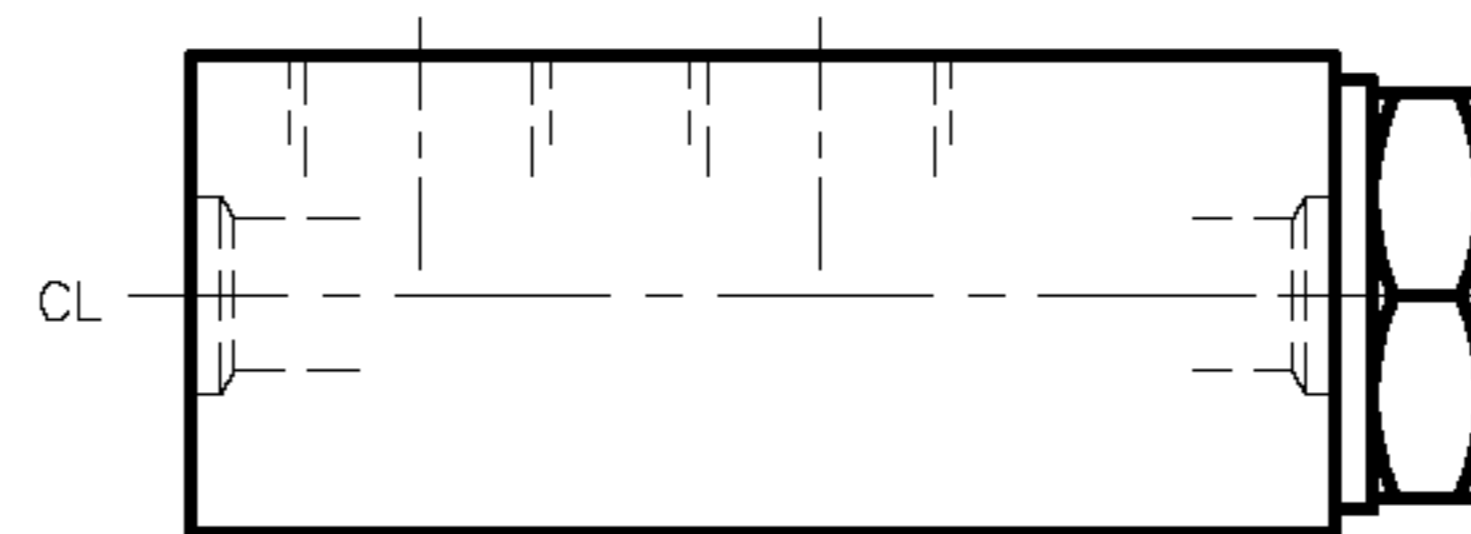
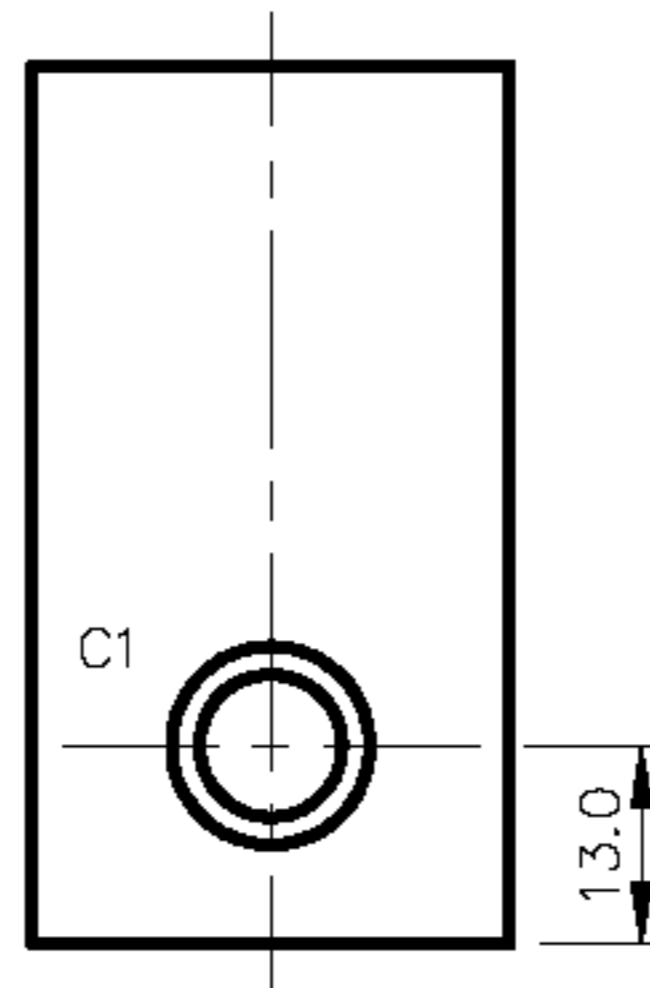
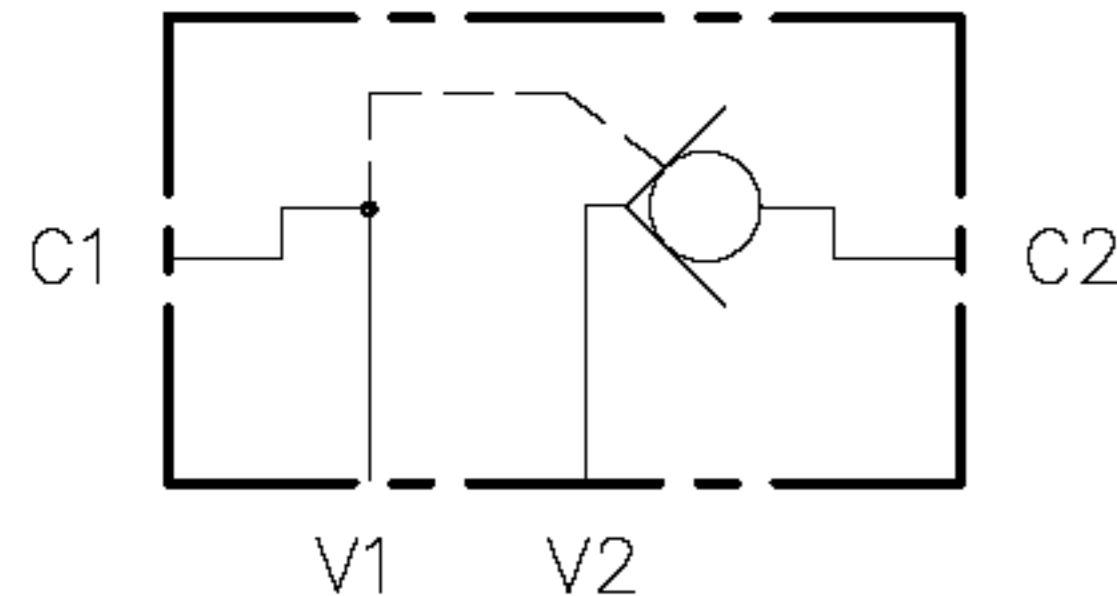
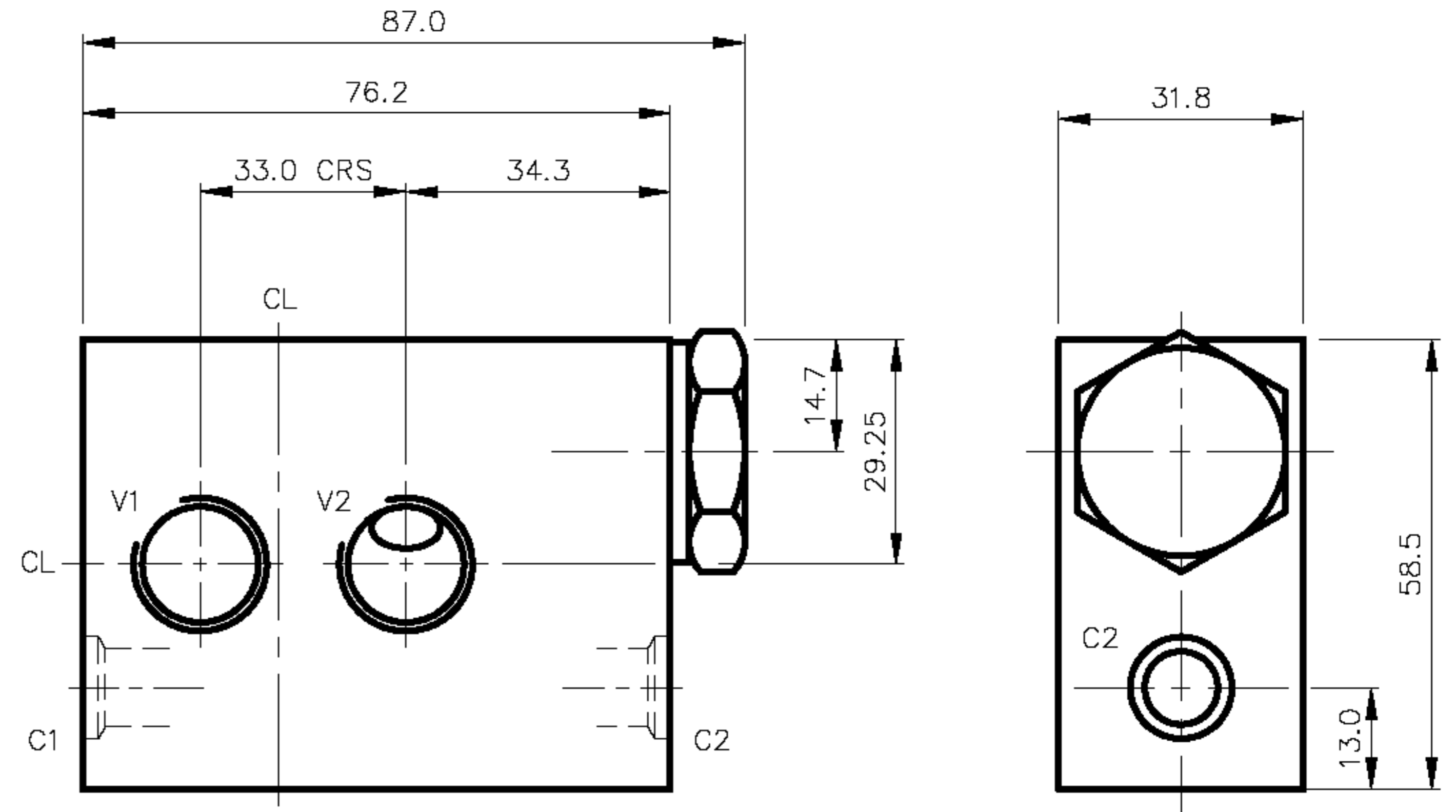


VALVE 4:1 RATIO
CARTRIDGE SINGLE P.O CHECK VALVE
SUITABLE FOR WELDING
<b>MAX WORKING PRESSURE 350 BAR</b>



VALVE ORDERING INFORMATION		
TYPE	PORTS C1 & C2	PORTS V1 & V2
VC-9510-B	12.0 OD	3/8 BSP (PL)

ALL DIMENSIONS IN MM



TYPICAL APPLICATION, THE CARTRIDGES & PISTON ARE EASY TO REMOVE TO ALLOW THE BLOCK & PIPES TO BE WELDED INTO POSITION EASILY.



VALVE TYPE SINGLE P.O.CHECK VALVE  
(FIELDEN PT NO xxx)

DATE: 14/08/02  
ASSY: 9510  
SCALE:

TITLE INSTALLATION  
VC-9510-B

DRG NO 9511

ISS A