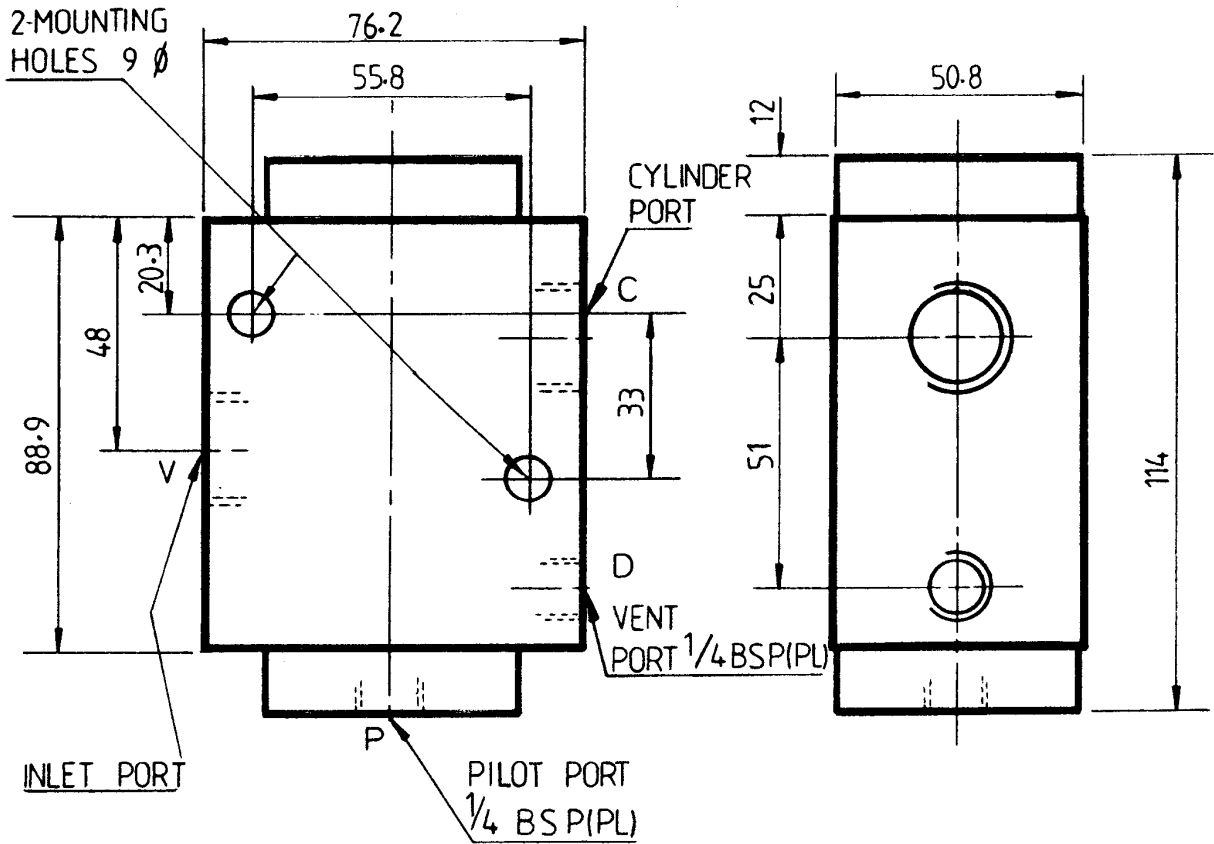




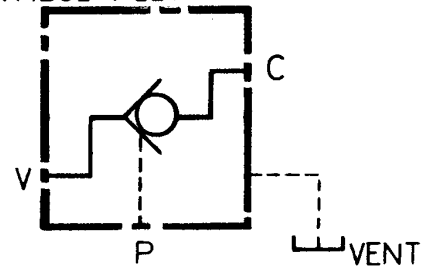
SINGLE P.O.CHECK
VALVE
SEPARATE VENT



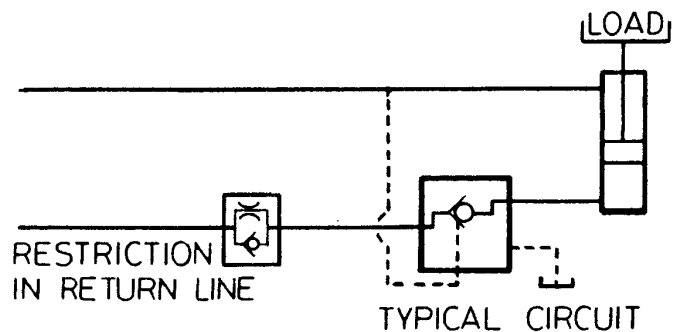
ORDERING INFORMATION	
TYPE	PORTS
V-221-B	3/8 BSP (PL)
V-221-C	1/2 BSP (PL)
V-221-D	3/4 BSP (PL)

MAX WORKING PRESSURE 350 BAR

SYMBOL V-221



THIS VALVE INCORPORATES A VENTED PISTON TO PREVENT EFFECTS OF DOWNSTREAM RESTRICTIONS.



ALL DIMENSIONS IN MM

HYDRAULIC ACTUATORS AND CONTROLS LTD

104 Maybury Road, Woking, Surrey GU21 5JL, England.
Tel: (01483) 762745 Fax: (01483) 765320